

# Kaiert Fuses

High Voltage Fuses For Motor Circuit Protection

电动机短路保护高压限流熔断器



## Motor Circuit Protection



Table of Contents 目录

Introduction 概述

Features & Benefits 电气特性

3.6KV -----

7.2KV -----

12KV -----

Fuse—Links Bases 熔断器底座

## 3.6 kV Range Fuse-Links for motor circuit (3.6KV电动机保护BS系列)

### 3.6 kV, Current Limiting Back-Up Fuse-Links, 50A to 450A

**Specifications:**

Description: high voltage BS Fuses, complete withstriker, suitable for transformer protection.

**描述:**

BS系列电动机保护用高压限流熔断器用于过载或短路保护，配有两种撞击器DJ=50N（弹簧式）和HJ=80N（火药式）。



**Ratings 等级:** Volts 电压: 3.6Kv Amps 电流: 50A - 450A Breaking Capacity 分断能力: 50kA .

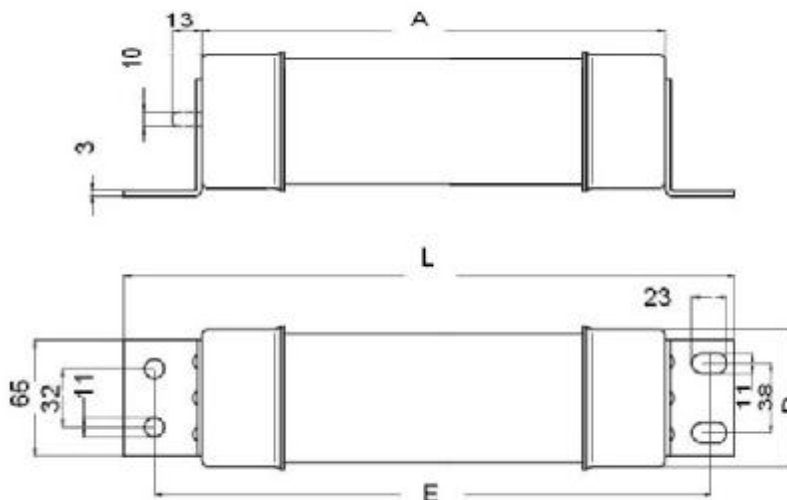
**Agency Information 执行标准:**

Comply with BS Dimensional standard BS2693-1, IEC60644andwith IEC 60282-1 (2005), Suitable for indoor use.

BS系列高压熔断器执行BS2693-1、IEC60644、IEC60282-1（2005）标准，户内使用。

**Dimensions 安装尺寸 (mm):**

Fuse Reference 型号规格	A	E	D	L
MB76.254.DJ	254	305	76	337

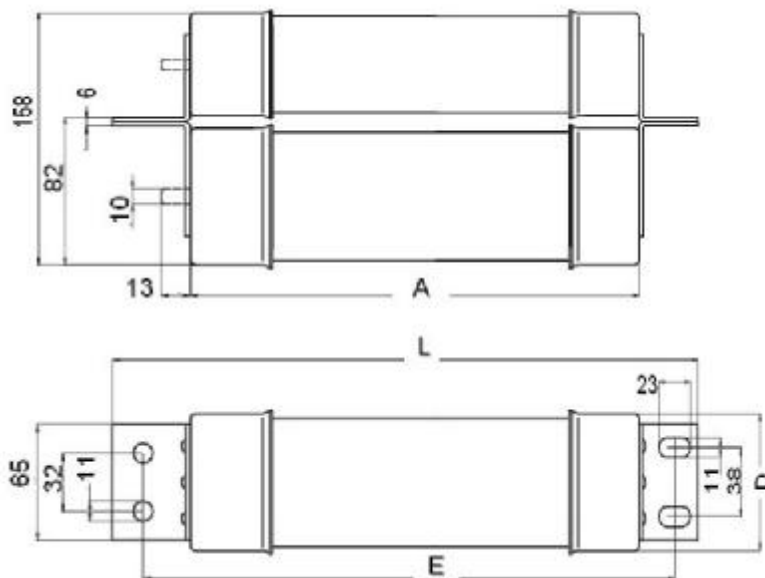


Kaiert Type 型号规格	Rated Current 电流 I <sub>N</sub> (A)	Rated breaking Current 分断电流 I <sub>1</sub> (A)	PowerLoss 功耗 W	I <sup>2</sup> t @3.6KV 熔断 I <sup>2</sup> t A <sup>2</sup> S	Weight 重量 Kg/1
3.6MB76.254.DJ50	50A	50KA	23	16000	3.9
3.6MB76.254.DJ63	63A	50KA	31	25000	3.9
3.6MB76.254.DJ80	80A	50KA	36	29000	3.9
3.6MB76.254.DJ100	100A	50KA	39	65000	3.9
3.6MB76.254.DJ125	125A	50KA	44	115000	3.9
3.6MB76.254.DJ160	160A	50KA	46	295000	3.9
3.6MB76.254.DJ200	200A	50KA	54	559000	3.9
3.6MB76.254.DJ224	224A	50KA	57	665000	3.9
3.6MB76.254.DJ250	250A	50KA	61	1414000	3.9
3.6MB76.254.DJ315	315A	50KA	70	2828000	3.9

## 3.6 kV Range Fuse-Links for motor circuit (3.6KV电动机保护BS系列)

Dimensions 安装尺寸 (mm):

Fuse Reference 型号规格	A	E	D	L
MB76.254.DJ	254	305	76	337

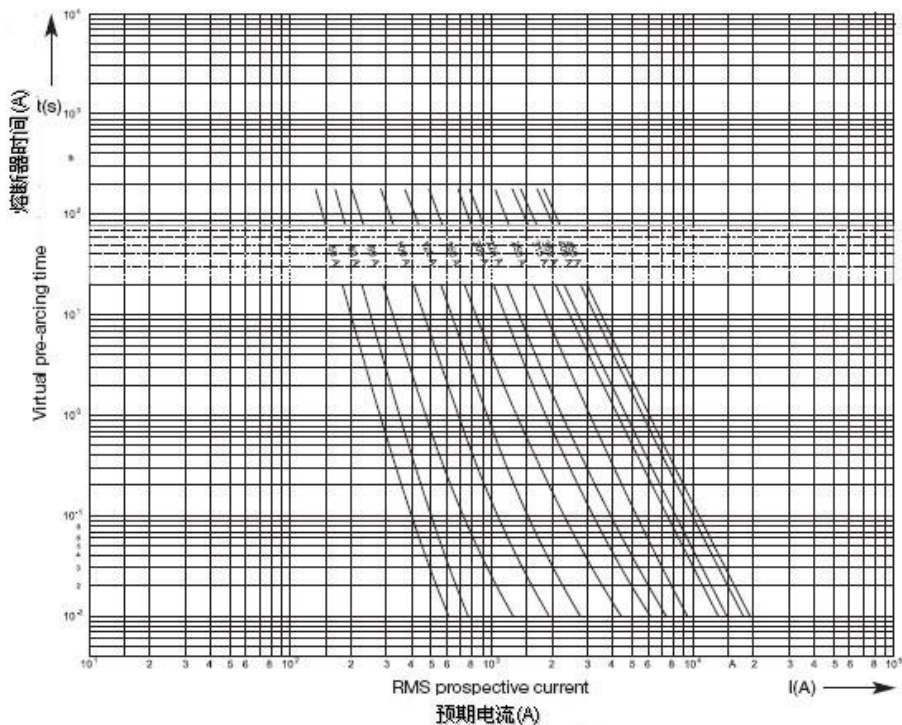


Kaiert Type 型号规格	Rated Current 电流 I <sub>N</sub> (A)	Rated breaking Current 分断电流 I <sub>1</sub> (A)	PowerLoss 功耗 W	I <sup>2</sup> t @3.6KV 熔断 I <sup>2</sup> t A <sup>2</sup> S	Weight 重量 Kg/1
3.6MB76.254.DJ355	355A	50KA	89	3165000	7.8
3.6MB76.254.DJ400	400A	50KA	100	4876000	7.8
3.6MB76.254.DJ450	450A	50KA	112	5655000	7.8

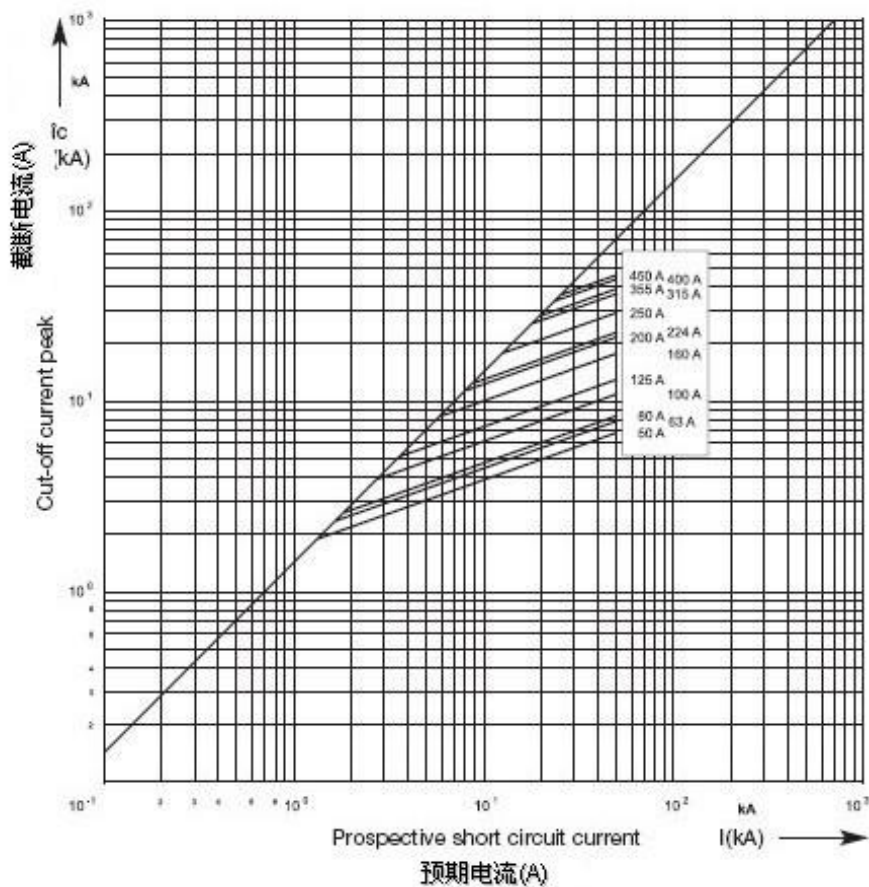
### Cross-Reference 国内外参照表

KAIERT	BUSSMANN	SIBA	China
3.6MB76.254.DJ50	WKFHO-50A/3.6KV	30 269 56 50	XRNM-50A/3.6KV
3.6MB76.254.DJ63	WKFHO-63A/3.6KV	30 269 56 63	XRNM-63A/3.6KV
3.6MB76.254.DJ80	WKFHO-80A/3.6KV	30 269 56 80	XRNM-80A/3.6KV
3.6MB76.254.DJ100	WKFHO-100A/3.6KV	30 269 56 100	XRNM-100A/3.6KV
3.6MB76.254.DJ125	WFFHO-125A/3.6KV	30 269 56 125	XRNM-125A/3.6KV
3.6MB76.254.DJ160	WFFHO-160A/3.6KV	30 269 56 160	XRNM-160A/3.6KV
3.6MB76.254.DJ200	WFFHO-200A/3.6KV	30 269 56 200	XRNM-200A/3.6KV
3.6MB76.254.DJ224	WFFHO-224A/3.6KV	30 269 56 224	XRNM-224A/3.6KV
3.6MB76.254.DJ250	WFFHO-250A/3.6KV	30 269 56 250	XRNM-250A/3.6KV
3.6MB76.254.DJ315	WFFHO-315A/3.6KV	30 269 56 315	XRNM-315A/3.6KV
3.6MB76.254.DJ355	WFFHO-355A/3.6KV	30 270 56 355	XRNM-355A/3.6KV
3.6MB76.254.DJ400	WKFHO-400A/3.6KV	30 270 56 400	XRNM-400A/3.6KV
3.6MB76.254.DJ450	WKFHO-450A/3.6KV	30 270 56 450	X XRNM-450A/3.6KV

## 3.6 KV BS Time Current Characteristics 时间---电流特性曲线:



## 3.6 KV BS CUT OFF Current Diagram 截断电流特性曲线:



## 7.2 kV Range Fuse-Links for motor circuit (7.2KV电动机保护BS系列)

### 7.2 kV, Current Limiting Back-Up Fuse-Links, 50A to 450A

**Specifications:**

Description: high voltage BS Fuses, complete withstriker, suitable for transformer protection.

描述:

BS系列电动机保护用高压限流熔断器用于过载或短路保护，配有两种撞击器DJ=50N（弹簧式）和HJ=80N（火药式）。



**Ratings 等级:** Volts 电压: 7.2Kv Amps 电流: 50A - 450A Breaking Capacity 分断能力: 50kA .

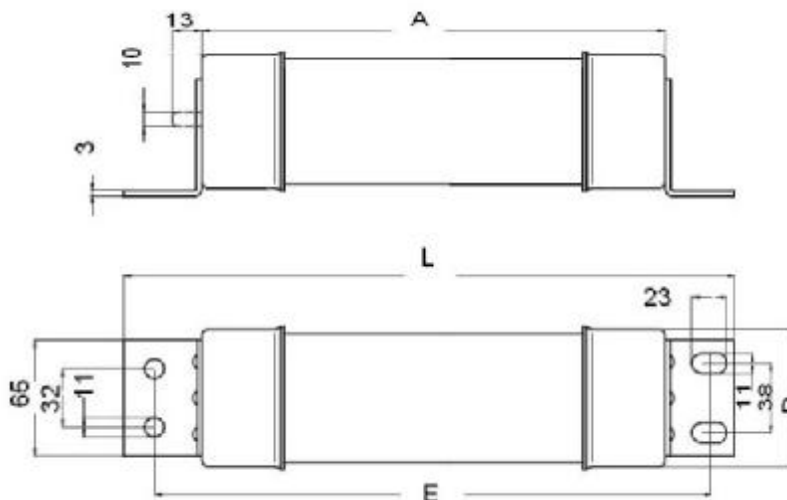
**Agency Information 执行标准:**

Comply with BS Dimensional standard BS2693-1, IEC60644andwith IEC 60282-1 (2005), Suitable for indoor use.

BS系列高压熔断器执行BS2693-1、IEC60644、IEC60282-1（2005）标准，户内使用。

**Dimensions 安装尺寸 (mm):**

Fuse Reference 型号规格	A	E	D	L
MB76.403.DJ	403	454	76	486

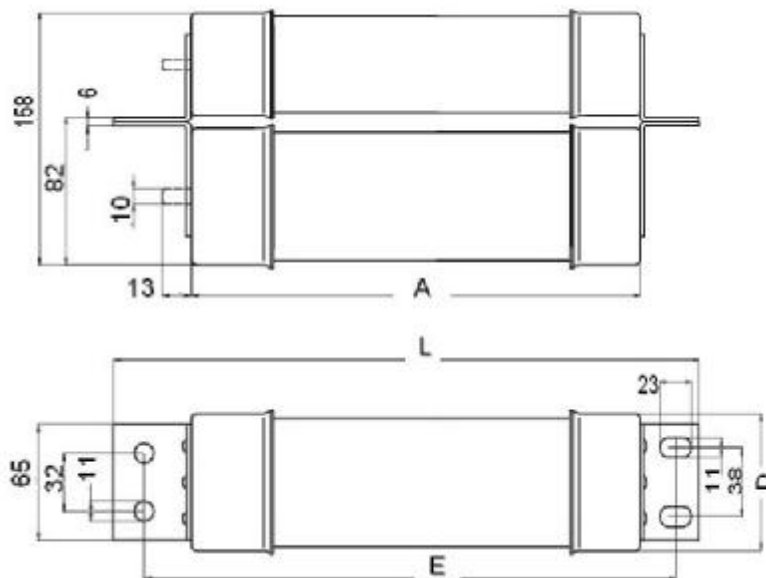


Kaiert Type 型号规格	Rated Current 电流 I <sub>N</sub> (A)	Rated breaking Current 分断电流 I <sub>1</sub> (A)	PowerLoss 功耗 W	I <sup>2</sup> t @7.2KV 熔断 I <sup>2</sup> t A <sup>2</sup> S	Weight 重量 Kg/1
7.2MB76.403.DJ50	50A	50KA	34	20000	4.2
7.2MB76.403.DJ63	63A	50KA	47	31000	4.2
7.2MB76.403.DJ80	80A	50KA	56	36000	4.2
7.2MB76.403.DJ100	100A	50KA	60	80000	4.2
7.2MB76.403.DJ125	125A	50KA	68	143500	4.2
7.2MB76.403.DJ160	160A	50KA	71	366000	4.2
7.2MB76.403.DJ200	200A	50KA	83	690000	4.2
7.2MB76.403.DJ224	224A	50KA	88	824000	4.2
7.2MB76.403.DJ250	250A	50KA	92	1750000	4.2

## 7.2 kV Range Fuse-Links for motor circuit (7.2KV电动机保护BS系列)

Dimensions 安装尺寸 (mm):

Fuse Reference 型号规格	A	E	D	L
MB76.254.DJ	403	454	76	486

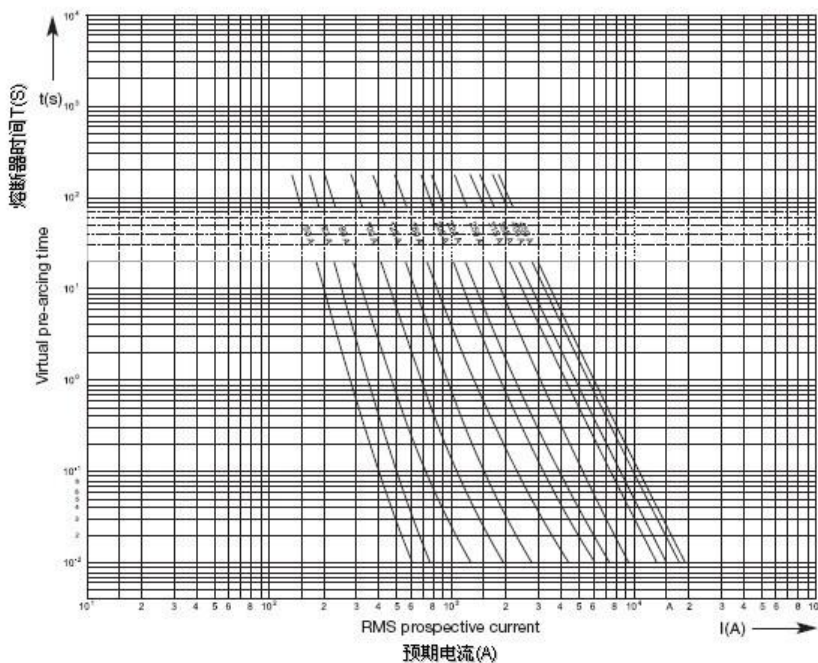


Kaiert Type 型号规格	Rated Current 电流 I <sub>N</sub> (A)	Rated breaking Current 分断电流 I <sub>1</sub> (A)	PowerLoss 功耗 W	I <sup>2</sup> t @7.2KV 熔断 I <sup>2</sup> t A <sup>2</sup> S	Weight 重量 Kg/1
7.2MB76.403.DJ315	315A	50KA	107	3504000	8.4
7.2MB76.403.DJ355	355A	50KA	120	4326000	8.4
7.2MB76.403.DJ400	400A	50KA	135	6400000	8.4
7.2MB76.403.DJ450	450A	50KA	150	7007000	8.4

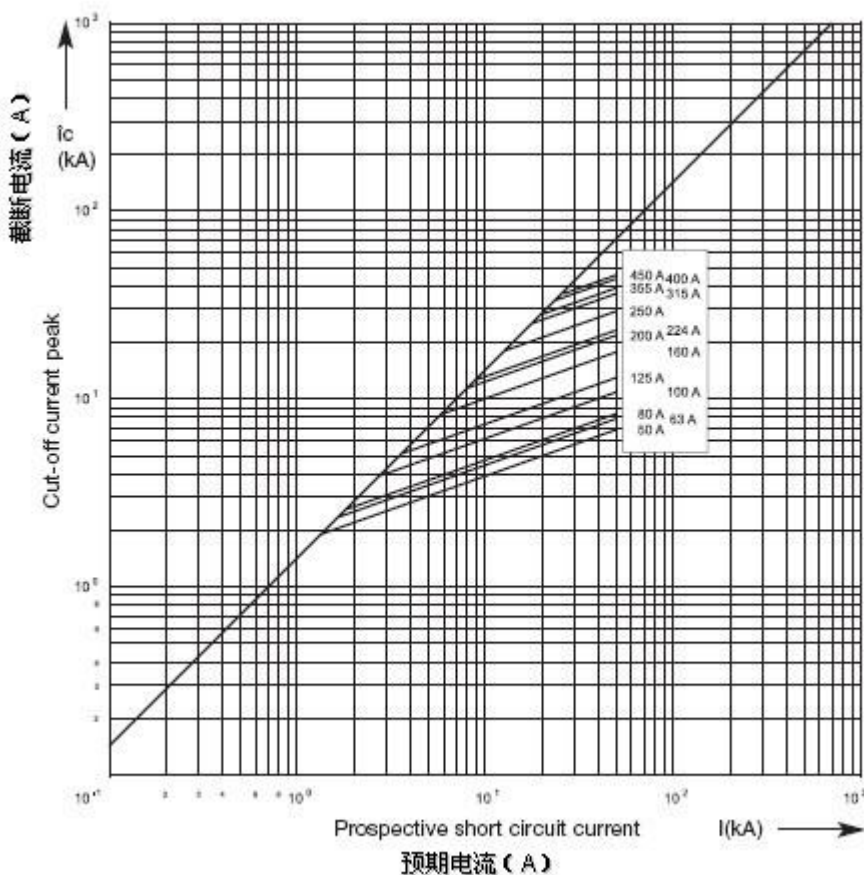
### Cross-Reference 国内外参照表

KAIERT	BUSSMANN	SIBA	China
7.2MB76.403.DJ50	WFNHO-50A/7.2KV	30 271 56 50	XRNM-50A/7.2KV
7.2MB76.403.DJ63	WFNHO-63A/7.2KV	30 271 56 63	XRNM-63A/7.2KV
7.2MB76.403.DJ80	WFNHO-80A/7.2KV	30 271 56 80	XRNM-80A/7.2KV
7.2MB76.403.DJ100	WFNHO-100A/7.2KV	30 271 56 100	XRNM-100A/7.2KV
7.2MB76.403.DJ125	WFNHO-125A/7.2KV	30 271 56 125	XRNM-125A/7.2KV
7.2MB76.403.DJ160	WFNHO-160A/7.2KV	30 271 56 160	XRNM-160A/7.2KV
7.2MB76.403.DJ200	WKNHO-200A/7.2KV	30 271 56 200	XRNM-200A/7.2KV
7.2MB76.403.DJ224	WKNHO-224A/7.2KV	30 271 56 224	XRNM-224A/7.2KV
7.2MB76.403.DJ250	WKNHO-250A/7.2KV	30 271 56 250	XRNM-250A/7.2KV
7.2MB76.403.DJ315	WKNHO-315A/7.2KV	30 272 56 315	XRNM-315A/7.2KV
7.2MB76.403.DJ355	WKNHO-355A/7.2KV	30272 56 355	XRNM-355A/7.2KV
7.2MB76.403.DJ400	WKNHO-400A/7.2KV	30 272 56 400	XRNM-400A/7.2KV
7.2MB76.403.DJ450	WKNHO-450A/7.2KV	30 272 56 450	X XRNM-450A/7.2KV

## 7.2 KV BS Time Current Characteristics 时间---电流特性曲线:



## 7.2 KV BS CUT OFF Current Diagram 截断电流特性曲线:



## 3.6 kV Range Fuse-Links for motor circuit (3.6 KV电动机保护DIN系列)

### 3.6 kV, Current Limiting Back-Up Fuse-Links, 50A to 450A

**Specifications:**

Description: high voltage DIN Fuses, complete withstriker, suitable for motor protection.

**描述:**

DIN 系列电动机保护用高压限流熔断器用于过载或短路保护, 配有两种撞击器DJ=50N (弹簧式) 和HJ=80N (火药式)。



**Ratings 等级:** Volts 电压: 3.6Kv Amps 电流: 50A - 450A **Breaking Capacity 分断能力:** 50kA

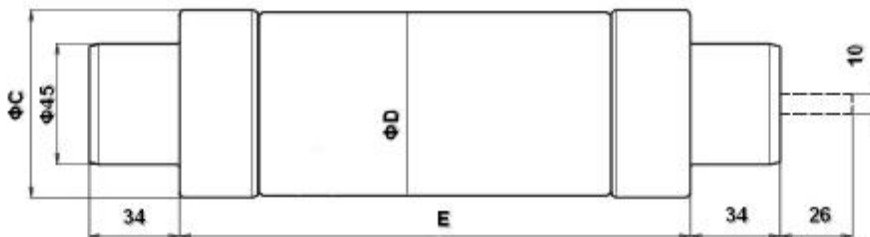
**Agency Information 执行标准:**

Comply with DIN Dimensional standard IEC60644 part 4 andwith IEC 60282-1 (2005), Suitable for indoor use.

DIN系列熔断器执行IEC60644、IEC60282-1 (2005) 标准, 户内使用。

**Dimensions 安装尺寸 (mm):**

Fuse Reference 型号规格	E	C	D
M51.192.DJ	192	54	51
M67.192.DJ	192	67	64
M77.192.DJ	192	77	76
M85.192.DJ	192	88	85



Kaiert Type 型号规格	SIBA 型号规格	Rated Current $I_N$ (A) 电流	Rated breaking Current $I_1$ (A) 分断电流	Power Loss W 功耗	$I^2t$ @3.6KV A <sup>2</sup> S 熔断 $I^2t$	Length mm 长度	Diameter mm 直径	Weight Kg/1 重量
3.6M51.192.DJ50	30 201 53 50	50A	50KA	27W	11000	192	53	1.6
3.6M51.192.DJ63	30 201 53 63	63A	50KA	38W	17000	192	53	1.6
3.6M51.192.DJ80	30 201 53 80	80A	50KA	44W	20000	192	53	1.6
3.6M51.192.DJ100	30 201 53 100	100A	50KA	47W	44000	192	53	1.6
3.6M67.192.DJ125	30 202 53 125	125A	50KA	51W	78000	192	67	2.0
3.6M67.192DJ160	30 202 53 160	160A	50KA	53W	199000	192	67	2.0
3.6M85.192.DJ200	30 200 54 200	200A	50KA	58W	376000	192	85	3.8
3.6M85.192.DJ224	30 200 54 224	224A	50KA	61W	448000	192	85	3.8
3.6M85.192.DJ250	30 200 54 250	250A	50KA	64W	952000	192	85	3.8
3.6M85.192.DJ315	30 200 54 315	315A	50KA	75W	1500000	192	85	3.8
3.6M85.192.DJ355	30 203 54 355	355A	50KA	82W	2360000	192	85	7.6
3.6M85.192.DJ400	30 203 54 400	400A	50KA	87W	3290000	192	85	7.6
3.6M85.192.DJ450	30 203 54 450	450A	50KA	92W	3800000	192	85	7.6

## 7.2 kV Range Fuse-Links for motor circuit (7.2 KV电动机保护DIN系列)

### 7.2 kV, Current Limiting Back-Up Fuse-Links, 50A to 450A

#### Specifications:

Description: high voltage DIN Fuses, complete withstriker, suitable for motor protection.

#### 描述:

DIN 系列电动机保护用高压限流熔断器用于过载或短路保护, 配有两种撞击器DJ=50N (弹簧式) 和HJ=80N (火药式)。



**Ratings 等级:** Volts 电压: 7.2Kv Amps 电流: 50A - 450A **Breaking Capacity 分断能力:** 50kA

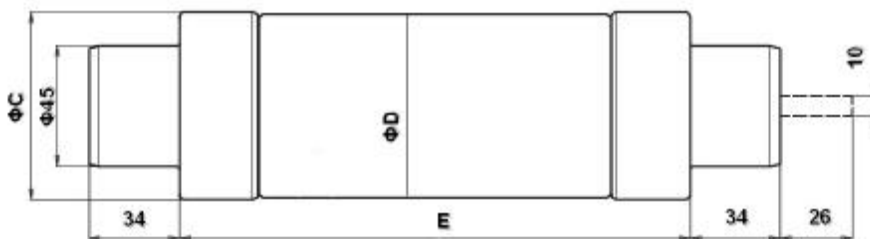
#### Agency Information 执行标准:

Comply with DIN Dimensional standard IEC60644 part 4 andwith IEC 60282-1 (2005), Suitable for indoor use.

DIN系列熔断器执行IEC60644、IEC60282-1 (2005) 标准, 户内使用。

#### Dimensions 安装尺寸 (mm):

Fuse Reference 型号规格	E	C	D
M51.442.DJ	442	54	51
M67.442.DJ	442	67	64
M77.442.DJ	442	77	76
M85.442.DJ	442	88	85



Kaiert Type 型号规格	SIBA 型号规格	Rated Current $I_N$ (A) 电流	Rated breaking Current $I_1$ (A) 分断电流	Power Loss W 功耗	$I^2t$ @7.2KV A <sup>2</sup> S 熔断 $I^2t$	Length mm 长度	Diameter mm 直径	Weight Kg/1 重量
7.2M51.442.DJ50	30 108 53 50	50A	50KA	39W	13600	442	53	2.2
7.2M51.442.DJ63	30 108 53 63	63A	50KA	55W	21600	442	53	2.2
7.2M51.442.DJ80	30 108 53 80	80A	50KA	66W	31000	442	53	2.2
7.2M51.442.DJ100	30 108 53 100	100A	50KA	71W	70000	442	53	2.2
7.2M67.442.DJ125	30 109 53 125	125A	50KA	73W	115000	442	67	2.9
7.2M67.442.DJ160	30 109 53 160	160A	50KA	76W	294000	442	67	2.9
7.2M85.442.DJ200	30 110 54 200	200A	50KA	88W	545000	442	85	5.4
7.2M85.442.DJ224	30110 54 224	224A	50KA	94W	650000	442	85	5.4
7.2M85.442.DJ250	30 110 54 250	250A	50KA	98W	1440000	442	85	5.4
7.2M85.442.DJ315	30 110 54 315	315A	50KA	115W	2950000	442	85	5.4
7.2M85.442.DJ355	30 111 54 355	355A	50KA	120W	3570000	442	85	10.8
7.2M85.442.DJ400	30 111 54 400	400A	50KA	128W	4980000	442	85	10.8
7.2M85.442.DJ450	30 111 54 450	450A	50KA	134W	5530000	442	85	10.8

## 12 kV Range Fuse-Links for motor circuit (12 KV电动机保护DIN系列)

### 12 kV, Current Limiting Back-Up Fuse-Links, 50A to 200A

**Specifications:**

Description: high voltage DIN Fuses, complete withstriker, suitable for motor protection.

**描述:**

DIN 系列电动机保护用高压限流熔断器用于过载或短路保护, 配有两种撞击器DJ=50N (弹簧式) 和HJ=80N (火药式)。



**Ratings 等级:** Volts 电压: 12Kv Amps 电流: 50A - 200A **Breaking Capacity 分断能力:** 50kA

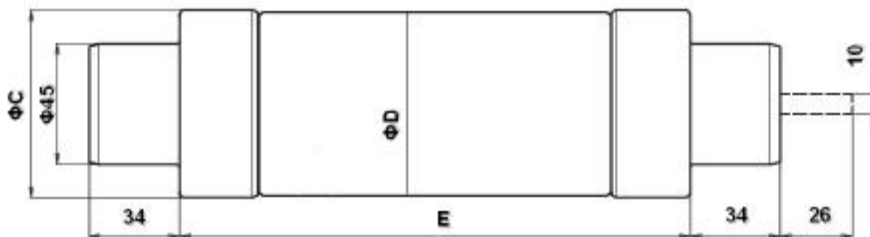
**Agency Information 执行标准:**

Comply with DIN Dimensional standard IEC60644 part 4 andwith IEC 60282-1 (2005), Suitable for indoor use.

DIN系列熔断器执行IEC60644、IEC60282-1 (2005) 标准, 户内使用。

**Dimensions 安装尺寸 (mm):**

Fuse Reference 型号规格	E	C	D
M51.442.DJ	442	54	51
M67.442.DJ	442	67	64
M77.442.DJ	442	77	76
M85.442.DJ	442	88	85



Kaiert Type 型号规格	SIBA 型号规格	Rated Current $I_N$ (A) 电流	Rated breaking Current $I_1$ (A) 分断电流	Power Loss W 功耗	$I^2t$ @12KV A <sup>2</sup> S 熔断 $I^2t$	Length mm 长度	Diameter mm 直径	Weight Kg/1 重量
12M51.442.DJ50	30 101 53 50	50A	50KA	60W	16000	442	53	1.6
12M51.442.DJ63	30 101 53 63	63A	50KA	69W	25000	442	53	1.6
12M67.442.DJ80	30 102 53 80	80A	50KA	73W	29000	442	67	2.0
12M67.442.DJ100	30 102 53 100	100A	50KA	95W	65000	442	67	2.0
12M67.442.DJ125	30 102 53 125	125A	50KA	131W	115000	442	67	2.0
12M85.442.DJ160	30 103 53 160	160A	50KA	149W	295000	442	85	3.8
12M85.442.DJ200	30 103 54 200	200A	50KA	174W	559000	442	85	3.8

## 3.6 kV Range Fuse-Links for motor circuit (3.6 KV电动机保护DIN系列)

### 3.6 kV, Current Limiting Back-Up Fuse-Links, 70A to 700\*\*A

#### Specifications:

Description: high voltage DIN Fuses, complete withstriker, suitable for motor protection.

#### 描述:

DIN 系列电动机保护用高压限流熔断器用于过载或短路保护，配有两种撞击器DJ=50N（弹簧式）和HJ=80N（火药式）。



**Ratings** 等级: Volts 电压: 3.6Kv Amps 电流: 70A – 700\*\*A Breaking Capacity 分断能力: 50kA

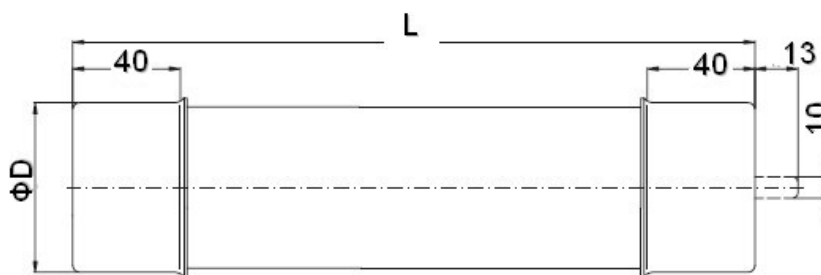
#### Agency Information 执行标准:

Comply with DIN Dimensional standard IEC60644 part 4 andwith IEC 60282-1 (2005), Suitable for indoor use.

DIN系列熔断器执行IEC60644、IEC60282-1（2005）标准，户内使用。

#### Dimensions 安装尺寸 (mm):

Fuse Reference 型号规格	L	ΦD
MD76.254.DJ	254	76



Kaiert Type 型号规格	SIBA 型号规格	Rated Current I <sub>N</sub> (A)电流	Rated breaking Current I <sub>1</sub> (A) 分断电流	Power Loss W 功耗	I <sup>2</sup> t @3.6KV A <sup>2</sup> S 熔断 I <sup>2</sup> t	Length Lmm 长度	Diameter ΦDmm 直径	Weight Kg/1 重量
3.6MD76.254.DJ70	30 456 55 .2R	70A	50KA	63W	24400	254	76	2.0
3.6MD76.254.DJ100	30 456 55 .3R	100A	50KA	106W	41400	254	76	2.0
3.6MD76.254.DJ130	30 456 55 .4R	130A	50KA	112W	91500	254	76	2.0
3.6MD76.254.DJ150	30 456 55 .5R	150A	50KA	119W	169400	254	76	2.0
3.6MD76.254.DJ170	30 456 55 .6R	170A	50KA	125W	280100	254	76	2.0
3.6MD76.254.DJ200	30 456 55 .9R	200A	50KA	123W	462000	254	76	2.0
3.6MD76.254.DJ230	30 456 55 .12R	230A	50KA	118W	764000	254	76	2.0
3.6MD76.254.DJ390*	30 457 55. 18R	390*A	50KA	246W	1850000	254	76	2.0
3.6MD76.254.DJ450*	30 457 55. 24R	450*A	50KA	236W	3053000	254	76	2.0
3.6MD76.254.DJ650**	30 458 55. 36R	650**A	50KA	354W	6869000	254	76	2.0
3.6MD76.254.DJ700**	30 458 55. 48R	700**A	50KA	476W	12447000	254	76	2.0

\*2single 双并,\*\*3single 三并

## 7.2 kV Range Fuse-Links for motor circuit (7.2 KV电动机保护DIN系列)

### 7.2 kV, Current Limiting Back-Up Fuse-Links, 70A to 700\*\*A

#### Specifications:

Description: high voltage DIN Fuses, complete withstriker, suitable for motor protection.

#### 描述:

DIN 系列电动机保护用高压限流熔断器用于过载或短路保护，配有两种撞击器DJ=50N（弹簧式）和HJ=80N（火药式）。



**Ratings** 等级: Volts 电压: 7.2Kv Amps 电流: 70A – 700\*\*A Breaking Capacity 分断能力: 50kA

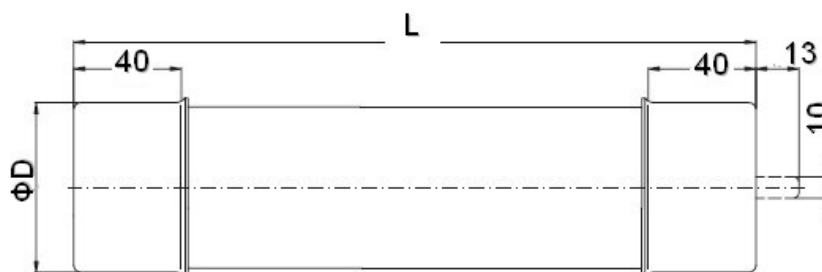
#### Agency Information 执行标准:

Comply with DIN Dimensional standard IEC60644 part 4 andwith IEC 60282-1 (2005), Suitable for indoor use.

DIN系列熔断器执行IEC60644、IEC60282-1（2005）标准，户内使用。

#### Dimensions 安装尺寸 (mm):

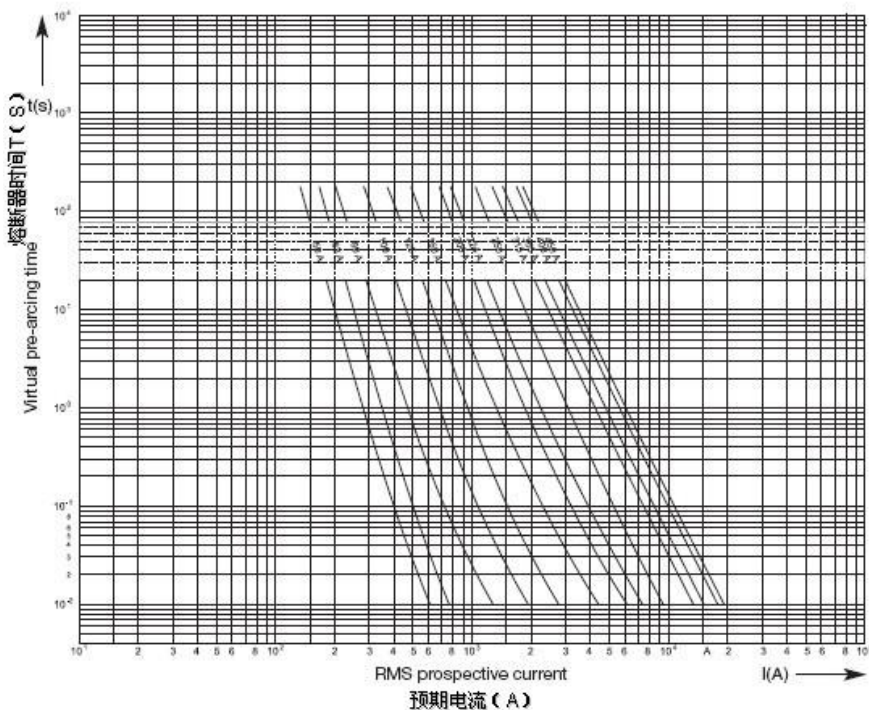
Fuse Reference 型号规格	L	ΦD
MD76.403.DJ	403	76



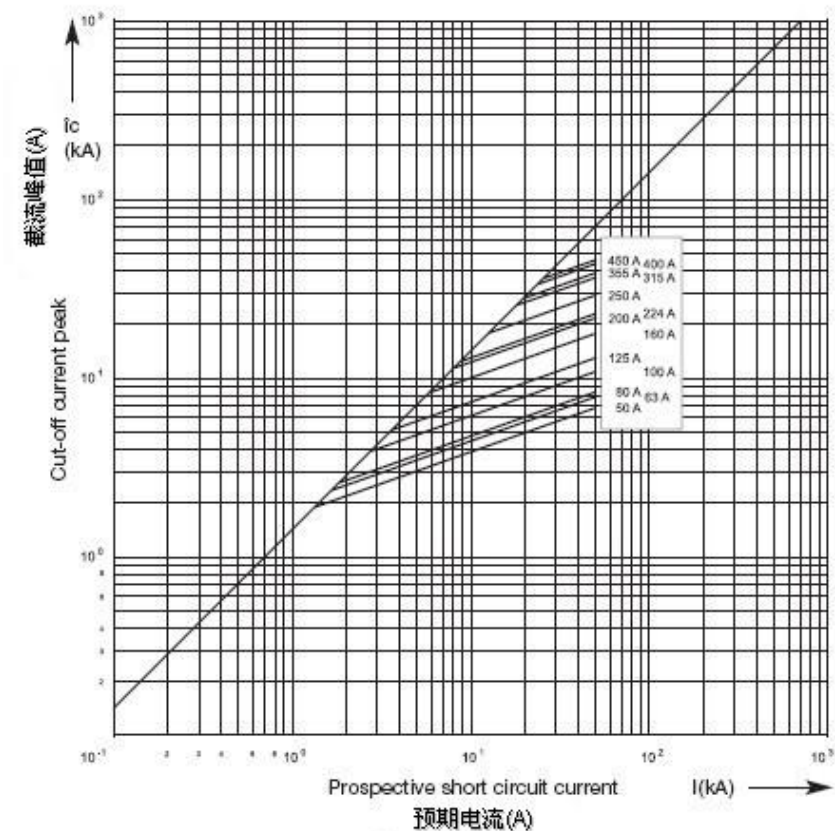
Kaiert Type 型号规格	SIBA 型号规格	Rated Current I <sub>N</sub> (A)电流	Rated breaking Current I <sub>1</sub> (A) 分断电流	Power Loss W 功耗	I <sup>2</sup> t @3.6KV A <sup>2</sup> S 熔断 I <sup>2</sup> t	Length Lmm 长度	Diameter ΦDmm 直径	Weight Kg/1 重量
7.2MD76.403.DJ70	30 459 55 .2R	70A	50KA	63W	24400	403	76	3.1
7.2MD76.403.DJ100	30 459 55 .3R	100A	50KA	106W	41400	403	76	3.1
7.2MD76.403.DJ130	30 459 55 .4R	130A	50KA	112W	91500	403	76	3.1
7.2MD76.403.DJ150	30 459 55 .5R	150A	50KA	119W	169400	403	76	3.1
7.2MD76.403.DJ170	30 459 55 .6R	170A	50KA	125W	280100	403	76	3.1
7.2MD76.403.DJ200	30 459 55 .9R	200A	50KA	123W	462000	403	76	3.1
7.2MD76.403.DJ230	30 459 55 .12R	230A	50KA	118W	764000	403	76	3.1
7.2MD76.403.DJ390*	30 460 55. 18R	390*A	50KA	246W	1850000	403	76	3.1
7.2MD76.403.DJ450*	30 460 55. 24R	450*A	50KA	236W	3053000	403	76	3.1
7.2MD76.403.DJ650**	30 461 55. 36R	650**A	50KA	354W	6869000	403	76	3.1
7.2MD76.403.DJ700**	30 461 55. 48R	700**A	50KA	476W	12447000	403	76	3.1

\*2single 双并,\*\*3single 三并

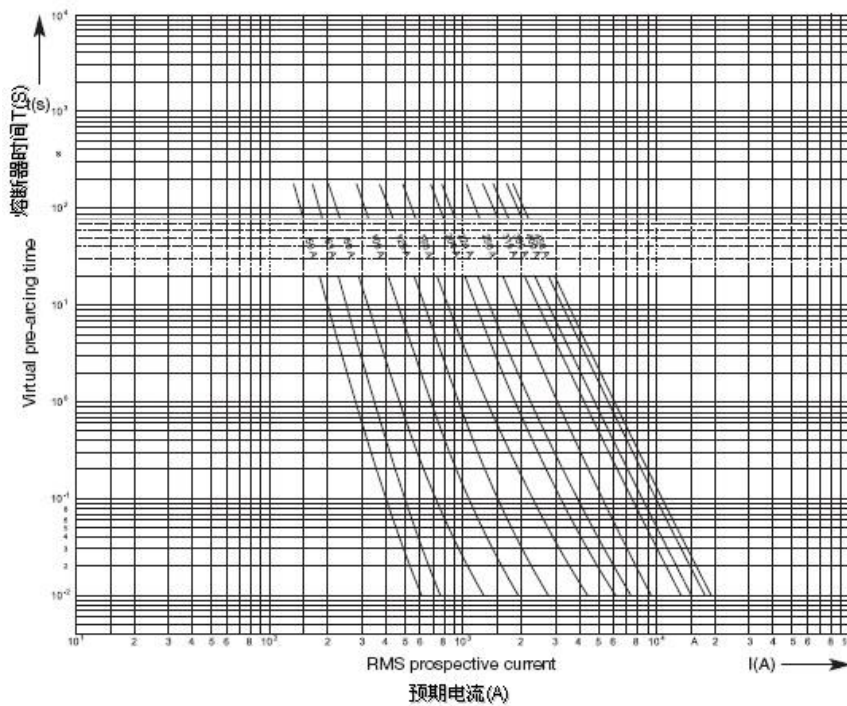
## 3.6 KV DIN Time Current Characteristics 时间---电流特性曲线:



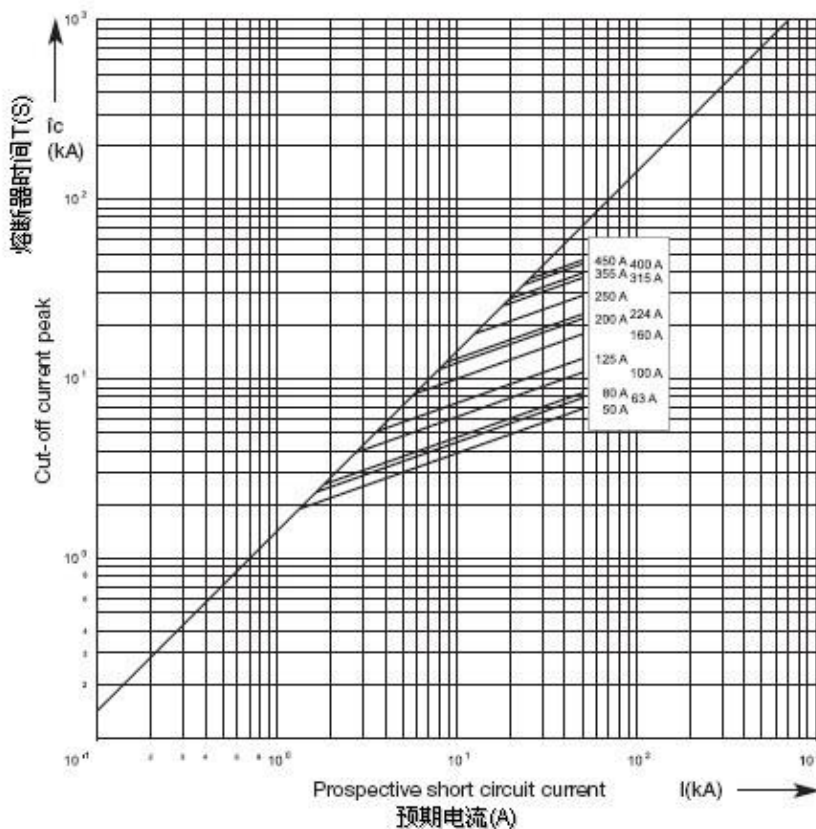
## 3.6 KV DIN CUT OFF Current Diagram 截断电流特性曲线:



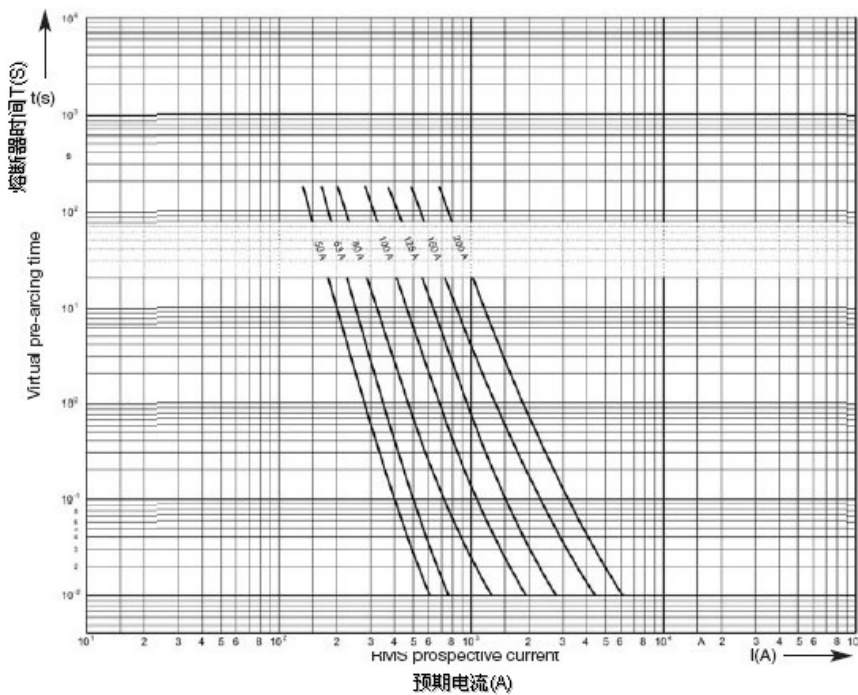
## 7.2 KV DIN Time Current Characteristics 时间---电流特性曲线:



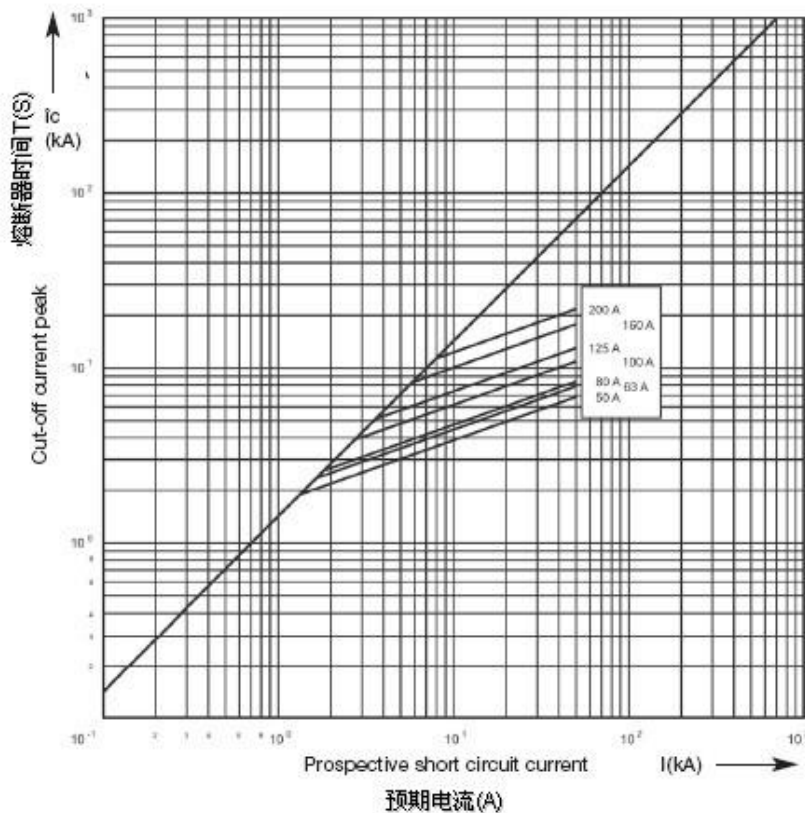
## 7.2 KV DIN CUT OFF Current Diagram 截断电流特性曲线:



12 KV DIN Time Current Characteristics 时间---电流特性曲线:



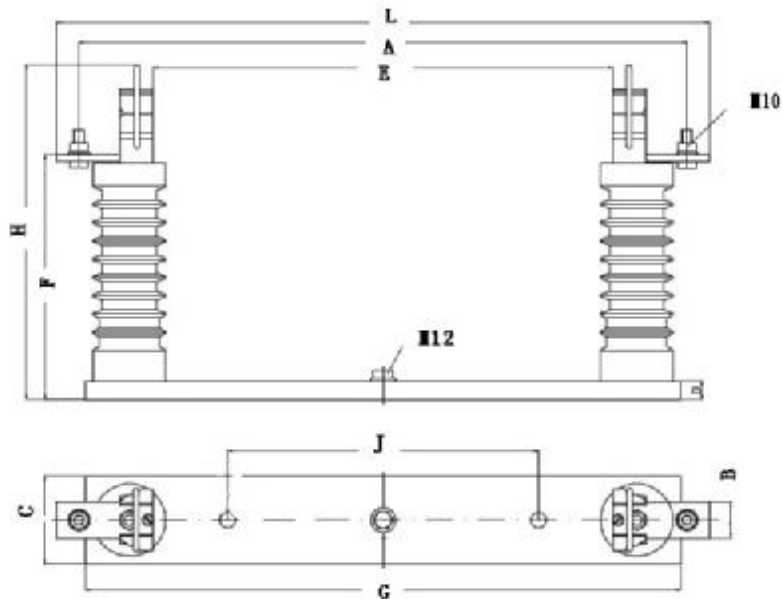
12 KV DIN CUT OFF Current Diagram 截断电流特性曲线:



# HV—Fuse Bases for indoor Application

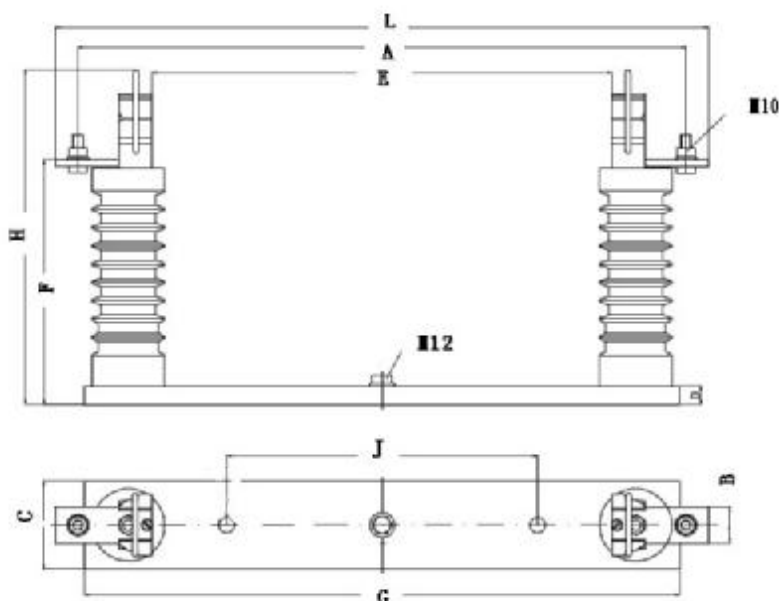
M-DIN 系列

## 3.6、7.2、12KV-DIN Fuse bases (底座M-DIN系列)



SIZE 尺寸(mm)	Rated voltage 电压 3.6KV	Ratedvoltage 电压 7.2KV	Rated voltage 电压 12KV
A	350	600	600
B	35	35	35
C	85	85	85
E	193	443	443
F	156	156	156
G	310	560	560
H	242	242	242
J	55	180	180
L	380	630	630

### 3.6、7.2KV Fuse bases (底座MD-DIN系列)



SIZE 尺寸(mm)	Rated voltage 电压 3.6KV	Ratedvoltage 电压 7.2KV	Rated voltage 电压 12KV
A	312	461	628
B	35	35	35
C	85	85	85
E	193	443	568
F	169	169	169
G	390	500	645
H	280	280	280
J	80	150	350
L	350	500	648

名称：西安开尔泰电力电子制造有限公司

地址：西安市经济技术开发区民经工业园民经一路一号

电话：029-86319515、029-88019343 传真：029-86629371 技术支持电话：13991253882、13109528822

网址：[www.kaiertfuses.com](http://www.kaiertfuses.com) 邮箱：[kaiertfuse@hotmail.com](mailto:kaiertfuse@hotmail.com)