

Fuses for Semiconductor Protection 半导体保护熔断器

European-British Standard 英式标准

BS88 系列半导体保护熔断器



名称：西安开尔泰电力电子制造有限公司

地址：西安市经济技术开发区民经工业园民经一路一号

电话：029-86319515、029-88019343 传真：029-86629371

技术支持电话：13991253822、13109528822

网址：www.kaiertfuses.com 邮箱：kaiertfuse@hotmail.com

Fuses for Semiconductor Protection 半导体保护熔断器

European-British Standard 英式标准

Size尺寸10×38mm **Rated Voltage额定电压AC240V** **Standard标准BS88-4**

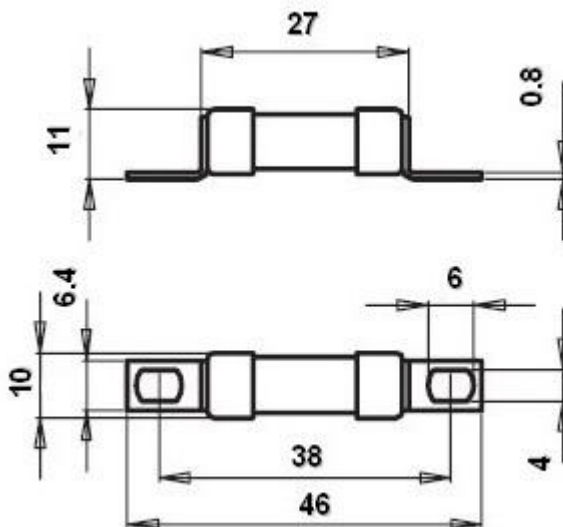
Description:描述

- High interrupting rating 分断能力 100 kA.
- Voltage ratings电压等级AC 240 V/DC 150V.
- Standard执行标准 IEC 60269-Part 4、BS 88 Part 4.
- Class类别及电流范围: aR 、 5 A – 32 A



Kaiert Type 型号规格	Rated Current I _N (A) 电流	Pre-arcting I ² t @1ms A ² S 弧前 I ² t	Total clearing I ² t @UN A ² S 熔断 I ² t	Power Loss W 功耗		Cross Reference 国内外熔断器对照表		
				0.8I _N	I _N	Bussmann	Ferraz	Siba
LBS10A5V240	5	1.3	11	0.6	1	6LCT	M082489	50 076 06.5
LBS10A6V240	6	1.8	15	0.7	1.2	6LCT	E097478	50 076 06.6
LBS10A10V240	10	2.4	20	1.2	2.1	10LCT	L082488	50 076 06.10
LBS10A12V240	12	4.3	33	1.6	2.8	12LCT	P097487	50 076 06.12
LBS10A16V240	16	6.7	48	2.0	3.5	16LCT	K082486	50 076 06.16
LBS10A20V240	20	15	100	2.2	4.0	20LCT	J082486	50 076 06.20
LBS10A25V240	25	27	160	2.6	4.7	N/A	X097494	N/A
LBS10A32V240	32	53	280	3.0	5.4	N/A	N081984	N/A

Dimensions 安装尺寸 (mm):



Fuses for Semiconductor Protection 半导体保护熔断器

European-British Standard 英式标准

Size尺寸17.5×41.8mm Rated Voltage额定电压AC240V Standard标准BS88-4

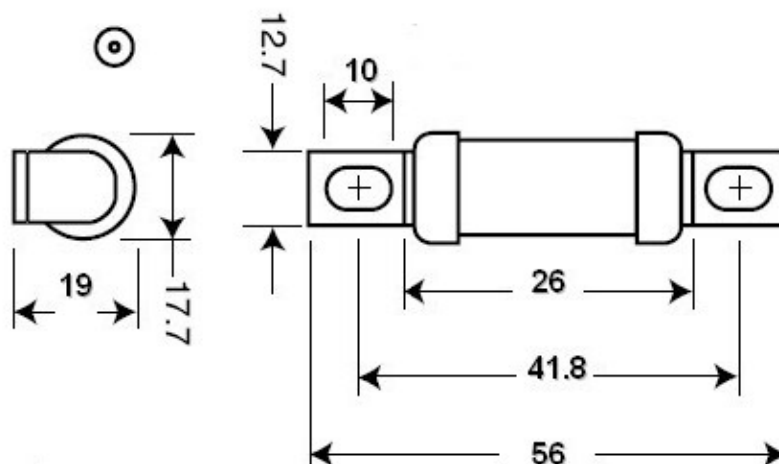
Description:描述

- High interrupting rating 分断能力 100 kA.
- Voltage ratings电压等级AC 240 V/DC 150V.
- Standard执行标准 IEC 60269-Part 、4BS 88 Part 4.
- Class类别及电流范围: aR 、 7 A – 180 A



Kaiert Type 型号规格	Rated Current I _N (A) 电流	Pre-arcing I ² t @1ms A ² S 弧前 I ² t	Total clearing I ² t @UN A ² S 熔断 I ² t	Power Loss W 功耗		Cross Reference 国内外熔断器对照表		
				0.8I _N	I _N	Bussmann	Ferraz	Siba
LBS17A7V240	7	1.3	9.8	0.56	1	N/A	MO76647	N/A
LBS17A10V240	10	4.5	23.8	0.84	1.5	N/A	NO76648	N/A
LBS17A12V240	12	5.9	31	1.1	2.0	N/A	PO76649	N/A
LBS17A16V240	16	11.2	59	1.7	3.0	N/A	QO76650	N/A
LBS17A20V240	20	15.6	100	2.2	3.9	N/A	LO97507	N/A
LBS17A25V240	25	30	160	2.7	4.8	25LET	RO76652	50 053 06.25
LBS17A27V240	30	45	235	3.2	5.6	30LET	SO76652	50 053 06.30
LBS17A35V240	35	63	330	3.7	6.5	35LET	TO76653	50 053 06.35
LBS17A50V240	50	180	940	4.9	8.8	50LET	VO76654	50 053 06.50
LBS17A60V240	60	250	1310	5.8	10.4	60LET	WO76655	50 053 06.60
LBS17A75V240	75	380	1990	7.2	13.6	75LET	XO76656	50 053 06.75
LBS17A80V240	80	480	2530	7.25	13.7	80LET	ZO85559	50 053 06.80
LBS17A100V240	100	730	4060	6.5	11.5	100LET	YO85558	50 053 06.100
LBS17A125V240	125	850	6920	6.7	12.3	125LET	GO97526	50 053 06.125
LBS17A150V240	150	1250	9590	7.4	13.6	150LET	WO85556	50 053 06.150
LBS17A160V240	160	1730	11700	8.8	15.6	160LET	HO97527	50 053 06.160
LBS17A180V240	180	2090	17500	9.5	17	180LET	NO97532	50 053 06.180

Dimensions 安装尺寸 (mm):



Fuses for Semiconductor Protection 半导体保护熔断器

European-British Standard 英式标准

Size尺寸17.5×41.8mmT Rated Voltage额定电压AC240V Standard标准BS88-4

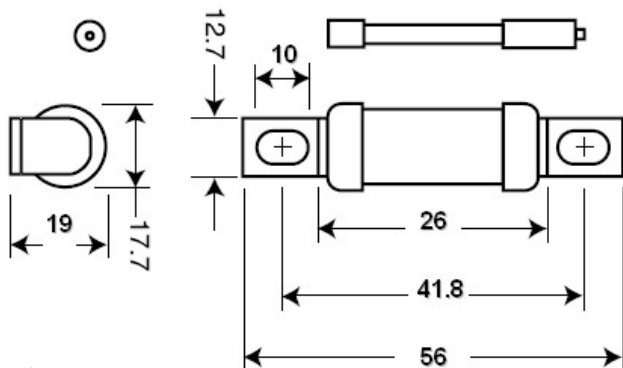
Description:描述

- High interrupting rating 分断能力 100 kA.
- Voltage ratings电压等级AC 240 V/DC 150V.
- Standard执行标准 IEC 60269-Part 、4BS 88 Part 4.
- with striker for microswitch operation 带撞击器
- Class类别及电流范围: aR 、 7 A – 180 A .



Kaiert Type 型号规格	Rated Current I _N (A) 电流	Pre-arctin g ² t @1ms A ² S 弧前 I ² t	Total cleaing ² t @UN A ² S 熔断 I ² t	PowerLoss W 功耗		Cross Reference 国内外熔断器对照表		
				0.8I _N	I _N	Bussmann	Ferraz	Siba
LBS17A7V240T	7	1.3	9.8	0.56	1	N/A	P097533	N/A
LBS17A10V240T	10	4.5	23.8	0.84	1.5	10LET	Q097534	N/A
LBS17A12V240T	12	5.9	31	1.1	2.0	12LET	S097536	N/A
LBS17A16V240T	16	11.2	59	1.7	3.0	16LET	X097540	N/A
LBS17A20V240T	20	15.6	100	2.2	3.9	20LET	B097544	N/A
LBS17A25V240T	25	30	160	2.7	4.8	25LET	D0975476	N/A
LBS17A27V240T	30	45	235	3.2	5.6	N/A	E097547	N/A
LBS17A35V240T	35	63	330	3.7	6.5	N/A	F097548	N/A
LBS17A50V240T	50	180	940	4.9	8.8	N/A	J097551	N/A
LBS17A60V240T	60	250	1310	5.8	10.4	N/A	H081082	N/A
LBS17A75V240T	75	380	1990	7.2	13.6	N/A	K097552	N/A
LBS17A80V240T	80	480	2530	7.25	13.7	N/A	L097553	N/A
LBS17A100V240T	100	730	4060	6.5	11.5	N/A	P097556	N/A
LBS17A125V240T	125	850	6920	6.7	12.3	N/A	Q097557	N/A
LBS17A150V240T	150	1250	9590	7.4	13.6	N/A	R097558	N/A
LBS17A160V240T	160	1730	11700	8.8	15.6	N/A	S097559	N/A
LBS17A180V240T	180	2090	17500	9.5	17	N/A	T097560	N/A

Dimensions 安装尺寸 (mm):



Fuses for Semiconductor Protection 半导体保护熔断器

European-British Standard 英式标准

Size尺寸 35×59mm

Rated Voltage额定电压 AC240V

Standard标准 BS88-4

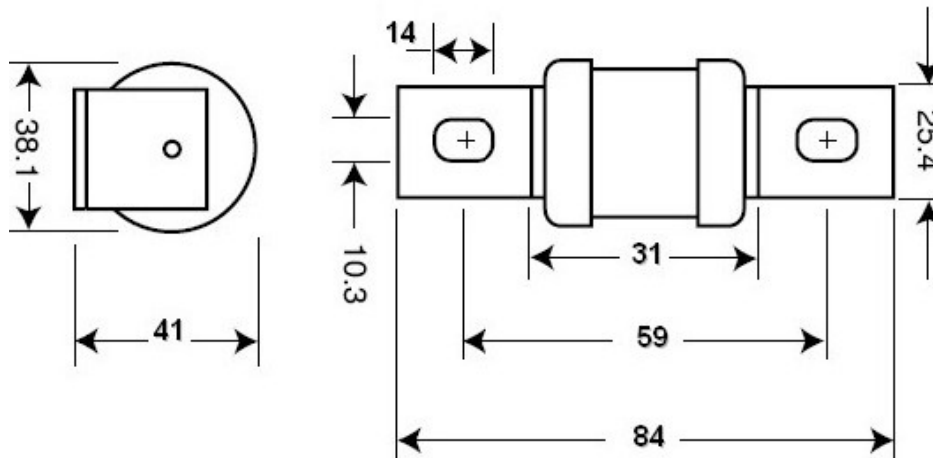
Description:描述

- High interrupting rating 分断能力 100 kA.
- Voltage ratings 电压等级 AC 240 V/DC 150V.
- Standard 执行标准 IEC 60269-Part 4, BS 88 Part 4.
- Class 类别及电流范围: aR、50 A – 525 A.



Kaiert Type 型号规格	Rated Current I _N (A) 电流	Pre-arctin gI ² t @1ms A ² S 弧前 I ² t	Total clearing I ² t @UN A ² S 熔断 I ² t	Power Loss W 功耗		Cross Reference 国内外熔断器对照表		
				0.8I _N	I _N	Bussmann	Ferraz	Siba
LBS35A50V240	50	120	500	5	10	N/A	J080945	N/A
LBS35A75V240	75	330	1380	6	13	N/A	K080946	N/A
LBS35A100V240	100	745	3060	8	16	N/A	L080947	N/A
LBS35A125V240	125	1340	5500	9	18	N/A	R082740	N/A
LBS35A150V240	150	1930	7950	11	22	N/A	Q082469	50 054 06 160
LBS35A200V240	200	4020	16400	14	27	N/A	P082468	50 054 06 200
LBS35A250V240	250	5350	30000	16	33	N/A	N082467	50 054 06 250
LBS35A300V240	300	7290	49600	19	37	N/A	M082466	50 054 06 300
LBS35A350V240	350	18000	74000	21	42	N/A	L082465	50 054 06 350
LBS35A400V240	400	25100	128000	23	47	N/A	G075538	50 054 06 400
LBS35A450V240	450	33500	170000	27	54	N/A	H075539	50 054 06 450
LBS35A500V240	500	43000	219000	30	61	N/A	J075540	N/A
LBS35A525V240	525	48200	245000	33	66	N/A	K075541	N/A

Dimensions 安装尺寸 (mm):



Fuses for Semiconductor Protection 半导体保护熔断器

European-British Standard 英式标准

Size尺寸 35×59mmT **Rated Voltage额定电压 AC240V** **Standard标准 BS88-4**

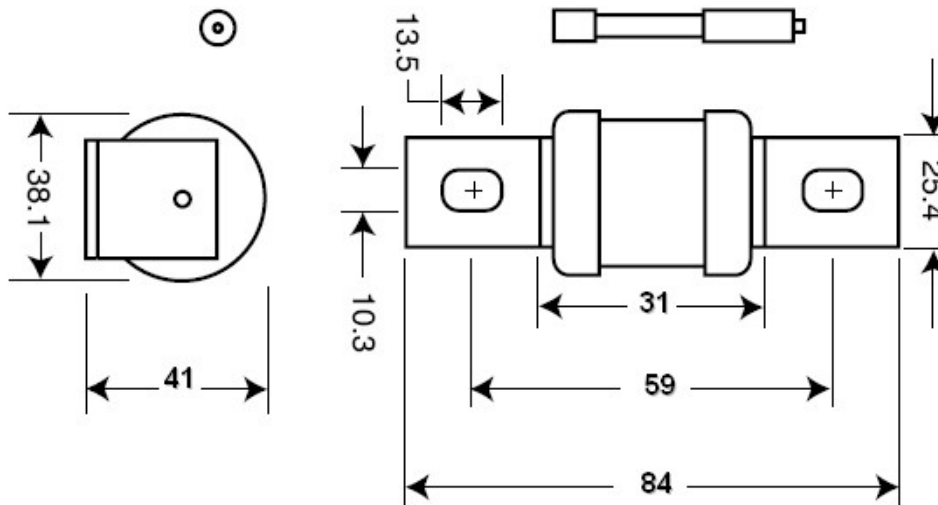
Description:描述

- High interrupting rating 分断能力 100 kA.
- Voltage ratings电压等级 AC 240 V/DC 150V.
- Standard执行标准 IEC 60269-Part 4、BS 88 Part 4.
- with striker for microswitch operation 带撞击器
- Class类别及电流范围: aR 、 50A – 525A .



Kaiert Type 型号规格	Rated Current I _N (A) 电流	Pre-arctin g ² t @1ms A ² S 弧前 I ² t	Total clearing I ² t @UN A ² S 熔断 I ² t	Power Loss W 功耗		Cross Reference 国内外熔断器对照表		
				0.8I _N	I _N	Bussmann	Ferraz	Siba
LBS35A50V240T	50	120	500	5	10	N/A	C080939	N/A
LBS35A75V240T	75	330	1380	6	13	N/A	D080940	N/A
LBS35A100V240T	100	745	3060	8	16	N/A	E080941	N/A
LBS35A125V240T	125	1340	5500	9	18	N/A	Y081004	N/A
LBS35A150V240T	150	1930	7950	11	22	160LMT	X081003	N/A
LBS35A200V240T	200	4020	16400	14	27	200LMT	W081002	N/A
LBS35A250V240T	250	5350	30000	16	33	250LMT	V081001	N/A
LBS35A300V240T	300	7290	49600	19	37	300LMT	T081000	N/A
LBS35A350V240T	350	18000	74000	21	42	350LMT	S080999	N/A
LBS35A400V240T	400	25100	128000	23	47	400LMT	V075504	N/A
LBS35A450V240T	450	33500	170000	27	54	450LMT	W075505	N/A
LBS35A500V240T	500	43000	219000	30	61	N/A	X075506	N/A
LBS35A525V240T	525	48200	245000	33	66	N/A	Y075507	N/A

Dimensions 安装尺寸 (mm):



Fuses for Semiconductor Protection 半导体保护熔断器

European-British Standard 英式标准

Size尺寸 2×35×59mm Rated Voltage额定电压 AC240V Standard标准 BS88-4

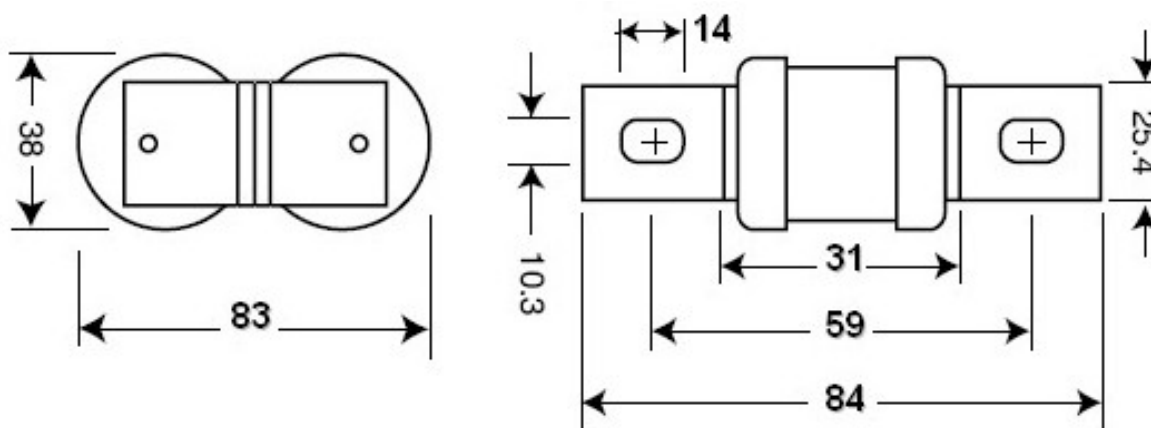
Description:描述

- High interrupting rating 分断能力 100 kA.
- Voltage ratings 电压等级 AC 240 V/DC 150V.
- Standard 执行标准 IEC 60269-Part 4、BS 88 Part 4.
- Class 类别及电流范围: aR 、 300A – 1050A .



Kaiert Type 型号规格	Rated Current I _N (A) 电流	Pre-arctin gI ² t @1ms A ² S 弧前 I ² t	Total cleaing I ² t @UN A ² S 熔断 I ² t	Power Loss W 功耗		Cross Reference 国内外熔断器对照表		
				0.8I _N	I _N	Bussmann	Ferraz	Siba
LBS35DA300V240	300	7700	31800	21.9	43	N/A	K082464	50 071 06.300
LBS35DA350V240	350	11500	48700	24	49	N/A	J082463	50 071 06.350
LBS35DA400V240	400	16000	65600	27	54	N/A	H082462	50 071 06.400
LBS35DA450V240	450	21000	87000	30	60	N/A	N/A	50 071 06.450
LBS35DA500V240	500	29100	120000	32	65	N/A	G082461	50 071 06.500
LBS35DA630V240	630	48200	198500	37	74	N/A	F082460	50 071 06.630
LBS35DA710V240	710	72000	276000	42	84	N/A	E082459	50 071 06.710
LBS35DA800V240	800	100000	512000	46.7	93	N/A	Q075546	50 071 06.800
LBS35DA900V240	900	134000	680000	54	108	N/A	R075547	50 071 06.900
LBS35DA1000V240	1000	172000	876000	60.8	122	N/A	S075548	N/A
LBS35DA1050V240	1050	193000	980000	66.4	132	N/A	T075549	N/A

Dimensions 安装尺寸 (mm):



Fuses for Semiconductor Protection 半导体保护熔断器

European-British Standard 英式标准

Size尺寸 2×35×59mmT Rated Voltage额定电压 AC240V Standard标准 BS88-4

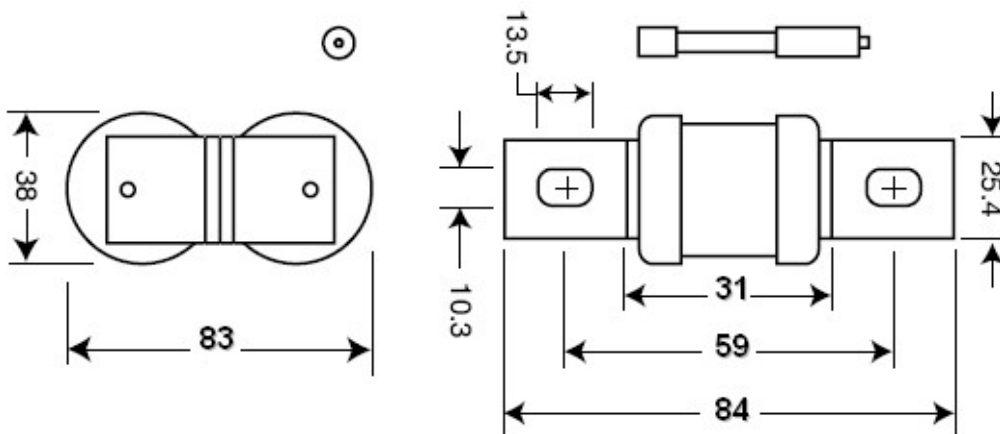
Description:描述

- High interrupting rating 分断能力 100 kA.
- Voltage ratings 电压等级 AC 240 V/DC 150V.
- Standard 执行标准 IEC 60269-Part 4、BS 88 Part 4.
- with striker for microswitch operation 带撞击器
- Class 类别及电流范围: aR 、300A – 1050A .



Kaiert Type 型号规格	Rated Current I _N (A) 电流	Pre-arctin g ² t @1ms A ² S 弧前 I ² t	Total clearing I ² t @UN A ² S 熔断 I ² t	Power Loss W 功耗		Cross Reference 国内外熔断器对照表		
				0.8I _N	I _N	Bussmann	Ferraz	Siba
LBS35DA300V240T	300	7700	31800	21.9	43	N/A	R080998	N/A
LBS35DA350V240T	350	11500	48700	24	49	N/A	JQ080997	N/A
LBS35DA400V240T	400	16000	65600	27	54	400LMMT	P080996	N/A
LBS35DA450V240T	450	21000	87000	30	60	450LMMT	N/A	N/A
LBS35DA500V240T	500	29100	120000	32	65	500LMMT	N080995	N/A
LBS35DA630V240T	630	48200	198500	37	74	630LMMT	M080994	N/A
LBS35DA710V240T	710	72000	276000	42	84	710LMMT	L080993	N/A
LBS35DA800V240T	800	100000	512000	46.7	93	800LMMT	Z075508	N/A
LBS35DA900V240T	900	134000	680000	54	108	900LMMT	A075509	N/A
LBS35DA1000V240T	1000	172000	876000	60.8	122	N/A	B075510	N/A
LBS35DA1050V240T	1050	193000	980000	66.4	132	N/A	075511	N/A

Dimensions 安装尺寸 (mm):

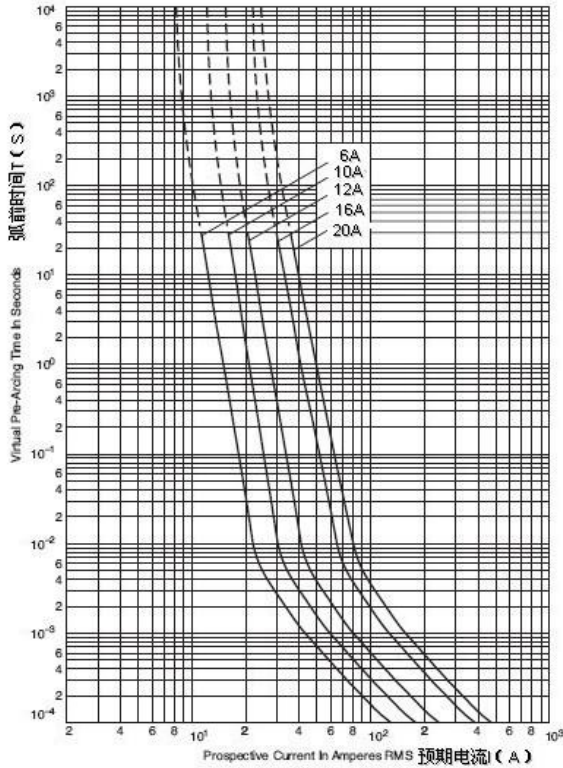


Fuses for Semiconductor Protection 半导体保护熔断器

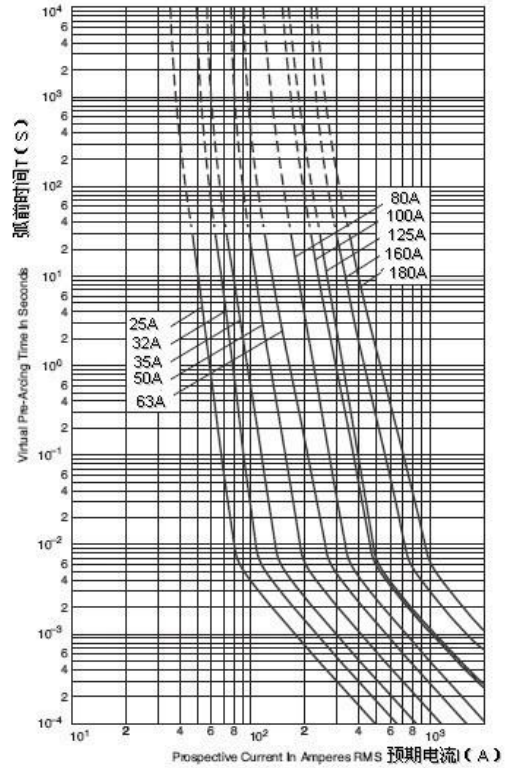
European-British Standard 英式标准

Time-Current Characteristics 时间-电流特性 Kaiert Fuses

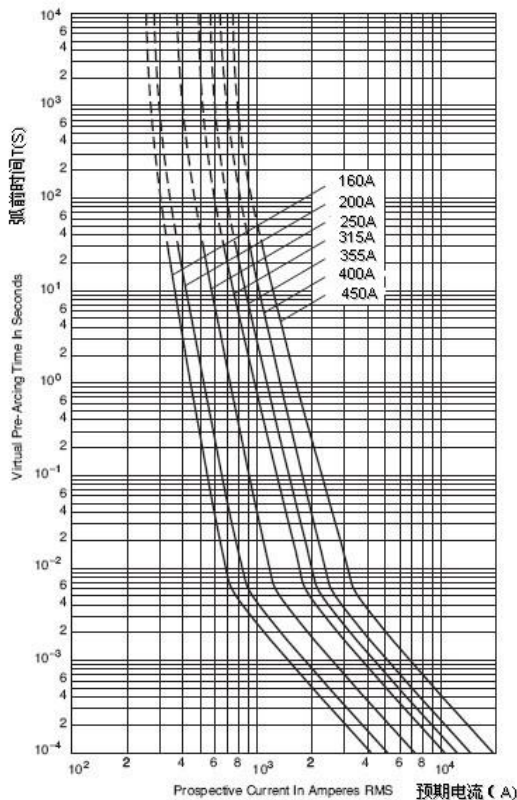
Time-Current Curve 6~20A: 240V



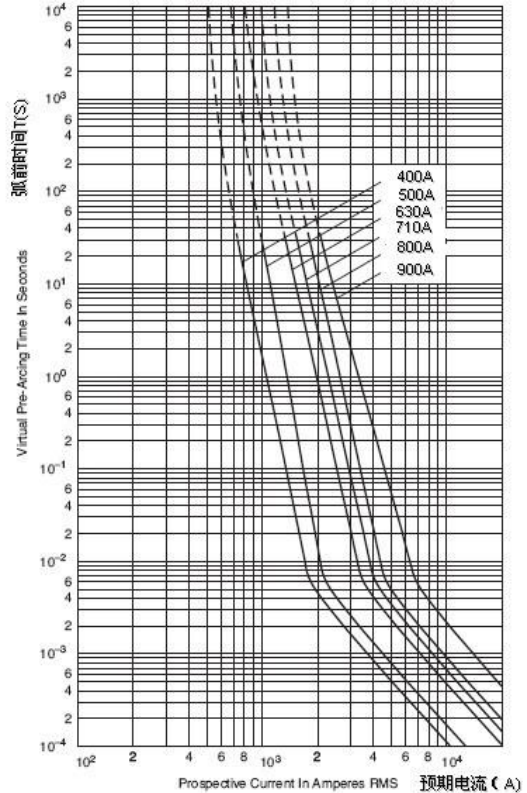
Time-Current Curve 25~180A: 240V



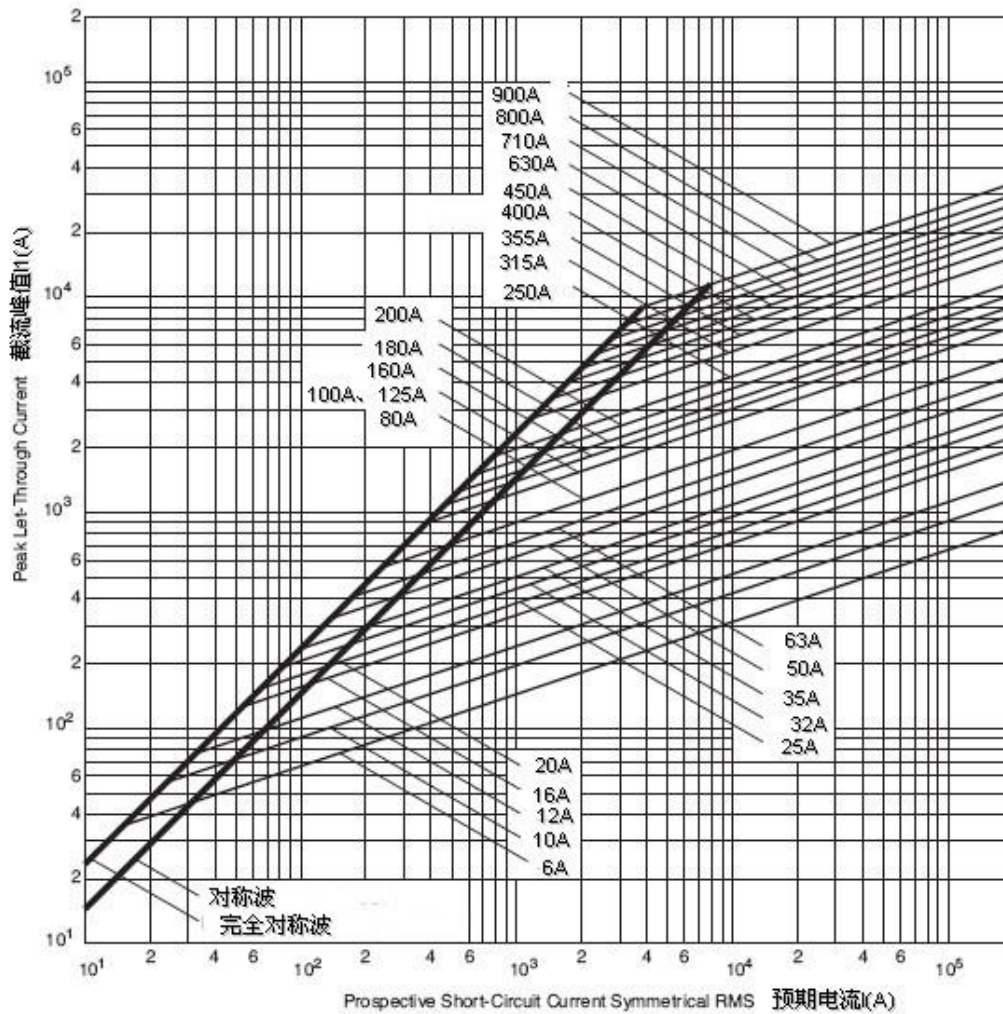
Time-Current Curve 160A~450A: AC240V



Time-Current Curve 400A~900A: AC240V



Peak Let-Through Curve 6A~900A: AC240V



Fuses for Semiconductor Protection 半导体保护熔断器

European-British Standard 英式标准

Size尺寸 10×64.3mm **Rated Voltage额定电压** AC690V **Standard标准** BS88-4

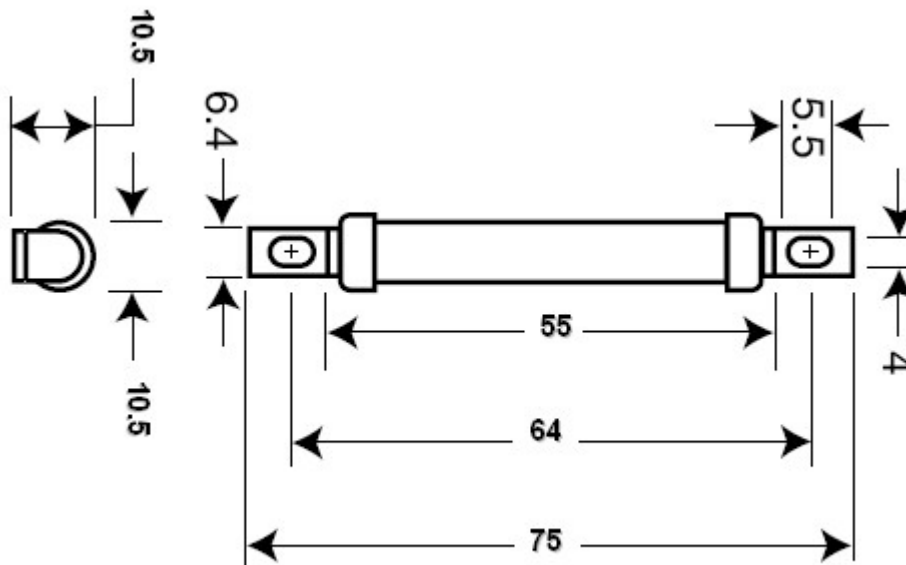
Description:描述

- High interrupting rating 分断能力 100 kA.
- Voltage ratings电压等级AC690 V/DC 500V.
- Standard执行标准 IEC 60269-Part 4、BS 88 Part 4.
- Class类别及电流范围: aR 、 5 A – 20A



Kaiert Type 型号规格	Rated Current I _N (A) 电流	Pre-arcting I ² t @1ms A ² S 弧前 I ² t	Total cleaing I ² t @UN A ² S 熔断 I ² t	Power Loss W 功耗		Cross Reference 国内外熔断器对照表		
				0.8I _N	I _N	Bussmann	Ferraz	Siba
LBS10A5V690	5	1.3	15	1.05	2	6LCT	D082458	50 077 06.5
LBS10A6V690	6	1.3	21	1.3	2.5	6LCT	X097057	50 077 06.6
LBS10A10V690	10	3.3	35	2.2	4.1	10LCT	C082457	50 077 06.10
LBS10A12V690	12	5.5	58	2.3	4.3	12LCT	Z097059	50 077 06.12
LBS10A16V690	16	9.7	100	2.4	4.4	16LCT	B082456	50 077 06.16
LBS10A20V690	20	19.4	200	3.1	5.8	20LCT	A082455	50 077 06.20

Dimensions 安装尺寸 (mm):



Fuses for Semiconductor Protection 半导体保护熔断器

European-British Standard 英式标准

Size尺寸17.5×63.5mm **Rated Voltage额定电压AC690V** **Standard标准BS88-4**

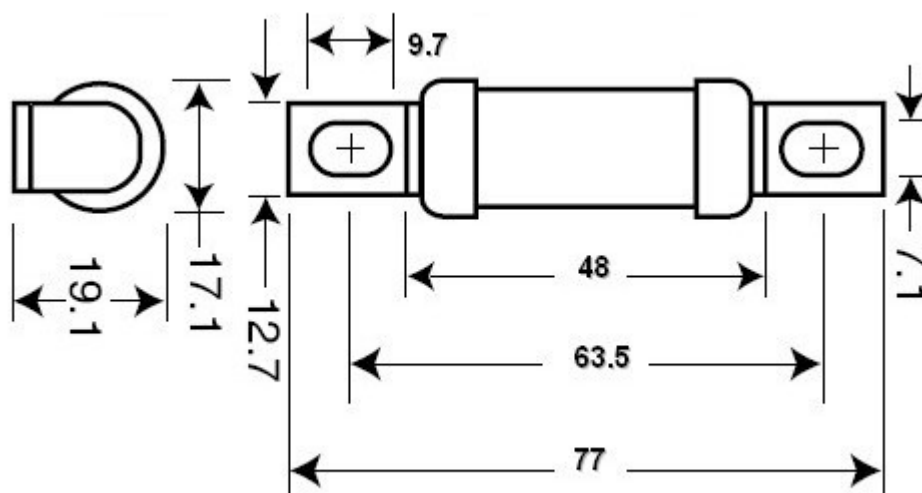
Description:描述

- High interrupting rating 分断能力 100 kA.
- Voltage ratings电压等级AC 690V/DC 500V.
- Standard执行标准 IEC 60269-Part 4、BS 88 Part 4.
- Class类别及电流范围: aR 、 16 A – 80 A



Kaiert Type 型号规格	Rated Current I_N (A) 电流	Pre-arcting I^2t @1ms A ² S 弧前 I^2t	Total cleaing I^2t @UN A ² S 熔断 I^2t	PowerLoss W 功耗		Cross Reference 国内外熔断器对照表		
				0.8 I_N	I_N	Bussmann	Ferraz	Siba
LBS17A16V690	16	9.7	107	2.7	4.8	N/A	G075883	50 073 06.16
LBS17A20V690	20	17.3	185	2.9	5.3	N/A	H075884	50 073 06.20
LBS17A25V690	25	27	285	3.7	6.7	N/A	J075885	50 073 06.25
LBS17A32V690	32	53	570	4.7	8.6	N/A	K075887	50 073 06.32
LBS17A35V690	35	70	725	5.2	9.6	N/A	L075887	50 073 06.35
LBS17A40V690	40	98	1080	5.7	10.5	N/A	M075888	50 073 06.40
LBS17A45V690	45	130	1280	6.2	11.4	N/A	N075889	50 073 06.45
LBS17A50V690	50	156	1420	6.8	12.6	N/A	P075890	50 053 06.50
LBS17A55V690	55	210	1970	7.2	13.3	N/A	Q075891	50 073 06.55
LBS17A63V690	63	315	2850	7.5	13.9	N/A	R075892	50 053 06.63
LBS17A75V690	75	525	4630	7.8	14.5	N/A	S075893	50 053 06.75
LBS17A80V690	80	625	5700	8.5	15.8	N/A	T075894	50 053 06.80

Dimensions 安装尺寸 (mm):



Fuses for Semiconductor Protection 半导体保护熔断器

European-British Standard 英式标准

Size尺寸17.5×63.5Tmm Rated Voltage额定电压AC690V Standard标准BS88-4

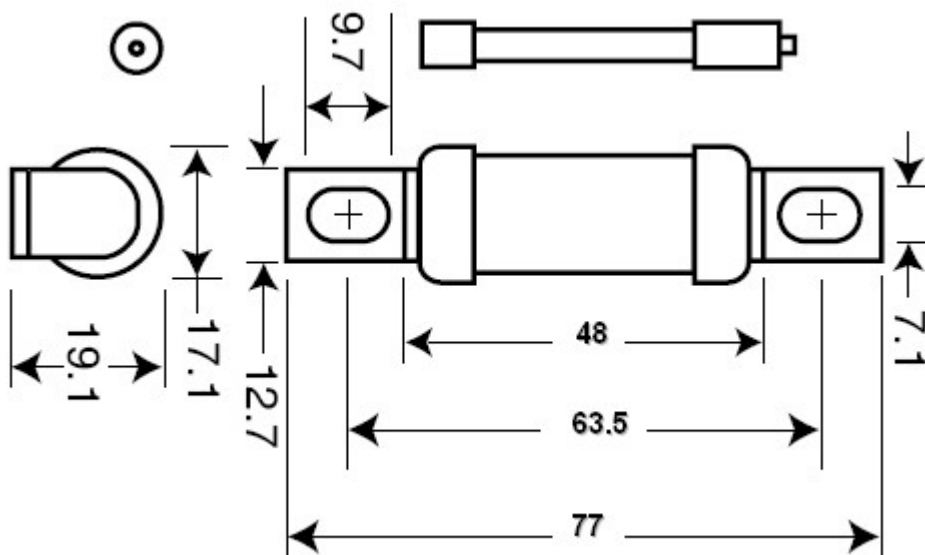
Description:描述

- High interrupting rating 分断能力 100 kA.
- Voltage ratings电压等级AC 690V/DC 500V.
- Standard执行标准 IEC 60269-Part 4、BS 88 Part 4.
- with striker for microswitch operation 带撞击器
- Class类别及电流范围: aR 、 16 A – 80 A



Kaiert Type 型号规格	Rated Current _N (A) 电流	Pre-arcing ^{l²t} @1ms A²S 弧前 I²t	Total clearing ^{l²t} @UN A²S 熔断 I²t	Power Loss W 功耗		Cross Reference 国内外熔断器对照表		
				0.8I _N	I _N	Bussmann	Ferraz	Siba
LBS17A16V690T	16	9.7	107	2.7	4.8	16LET	V075895	N/A
LBS17A20V690T	20	17.3	185	2.9	5.3	20LET	W075896	N/A
LBS17A25V690T	25	27	285	3.7	6.7	25LET	X075897	N/A
LBS17A32V690T	32	53	570	4.7	8.6	32LET	Y075898	N/A
LBS17A35V690T	35	70	725	5.2	9.6	35LET	Z075899	N/A
LBS17A40V690T	40	98	1080	5.7	10.5	40LET	A075900	N/A
LBS17A45V690T	45	130	1280	6.2	11.4	45LET	B075901	N/A
LBS17A50V690T	50	156	1420	6.8	12.6	50LET	K081084	N/A
LBS17A55V690T	55	210	1970	7.2	13.3	55LET	C075902	N/A
LBS17A63V690T	63	315	2850	7.5	13.9	63LET	D075903	N/A
LBS17A75V690T	75	525	4630	7.8	14.5	75LET	E075904	N/A
LBS17A80V690T	80	625	5700	8.5	15.8	80LET	F075905	N/A

Dimensions 安装尺寸 (mm):



Fuses for Semiconductor Protection 半导体保护熔断器

European-British Standard 英式标准

Size尺寸2×17.5×63.5mm Rated Voltage额定电压AC690V Standard标准BS88-4

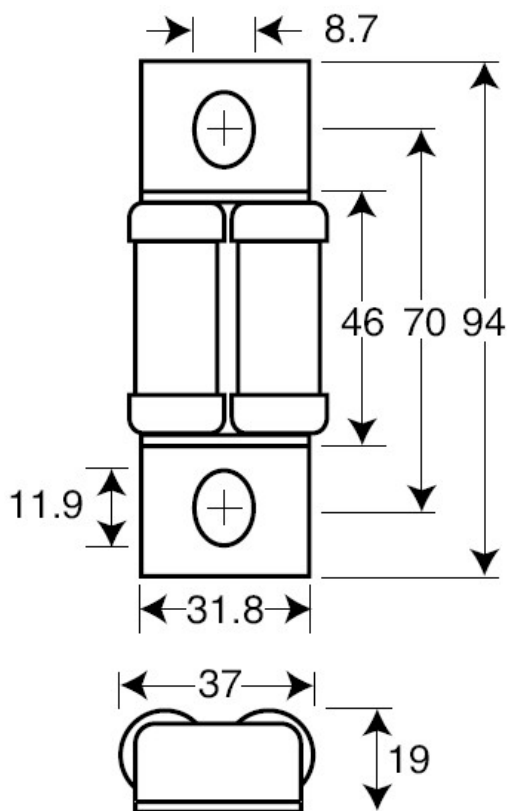
Description:描述

- High interrupting rating 分断能力 100 kA.
- Voltage ratings电压等级AC 690V/DC 500V.
- Standard执行标准 IEC 60269-Part 、4BS 88 Part 4.
- Class类别及电流范围: aR 、16 A – 80 A



Kaiert Type 型号规格	Rated Current I _n (A) 电流	Pre-arcing I ² t @1ms A ² S 弧前 I ² t	Total clearing I ² t @UN A ² S 熔断 I ² t	Power Loss W 功耗		Cross Reference 国内外熔断器对照表		
				0.8I _n	I _n	Bussmann	Ferraz	Siba
LBS17DA65V690	65	210	2270	9.5	17.4	N/A	G075906	N/A
LBS17DA75V690	75	310	3280	10.9	20	N/A	F099572	N/A
LBS17DA85V690	85	430	4350	11.9	21.9	N/A	H075907	N/A
LBS17DA90V690	90	525	5130	12.4	22.8	N/A	A099958	N/A
LBS17DA110V690	110	850	7840	13.8	26.5	N/A	B099959	N/A
LBS17DA140V690	140	1730	15700	15.5	28.5	N/A	J075908	N/A
LBS17DA150V690	150	2090	18500	15.6	28.7	N/A	C099960	N/A
LBS17DA160V690	160	2500	22800	16.9	31.5	N/A	K075909	N/A

Dimensions 安装尺寸 (mm):



Fuses for Semiconductor Protection 半导体保护熔断器

European-British Standard 英式标准

Size尺寸 2×17.5×63.5T Rated Voltage额定电压 AC690V Standard标准 BS88-4

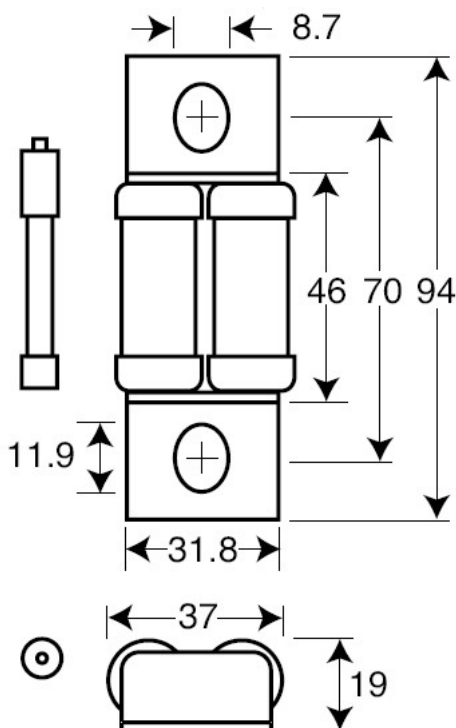
Description:描述

- High interrupting rating 分断能力 100 kA.
- Voltage ratings 电压等级 AC 690V/DC 500V.
- Standard 执行标准 IEC 60269-Part 4、4BS 88 Part 4.
- with striker for microswitch operation 带撞击器
- Class 类别及电流范围: aR 、 16 A – 80 A



Kaiert Type 型号规格	Rated Current I _N (A) 电流	Pre-arcing I ² t @1ms A ² S 弧前 I ² t	Total clearing I ² t @UN A ² S 熔断 I ² t	Power Loss W 功耗		Cross Reference 国内外熔断器对照表		
				0.8I _N	I _N	Bussmann	Ferraz	Siba
LBS17DA65V690T	65	210	2270	9.5	17.4	65EET	L075910	N/A
LBS17DA75V690T	75	310	3280	10.9	20	75EET	M075911	N/A
LBS17DA85V690T	85	430	4350	11.9	21.9	85EET	N075912	N/A
LBS17DA90V690T	90	525	5130	12.4	22.8	90EET	P075913	N/A
LBS17DA110V690T	110	850	7840	13.8	26.5	110EET	Q075914	N/A
LBS17DA140V690T	140	1730	15700	15.5	28.5	140EET	R075915	N/A
LBS17DA150V690T	150	2090	18500	15.6	28.7	150EET	S075916	N/A
LBS17DA160V690T	160	2500	22800	16.9	31.5	160EET	T075917	N/A
LBS17DA180V690T	180	2700	24800	17	32	180EET	N/A	N/A
LBS17DA200V690T	200	3000	26000	17.5	33	200EET	N/A	N/A

Dimensions 安装尺寸 (mm):



Fuses for Semiconductor Protection 半导体保护熔断器

European-British Standard 英式标准

Size尺寸35×80mm **Rated Voltage额定电压AC690V** **Standard标准BS88-4**

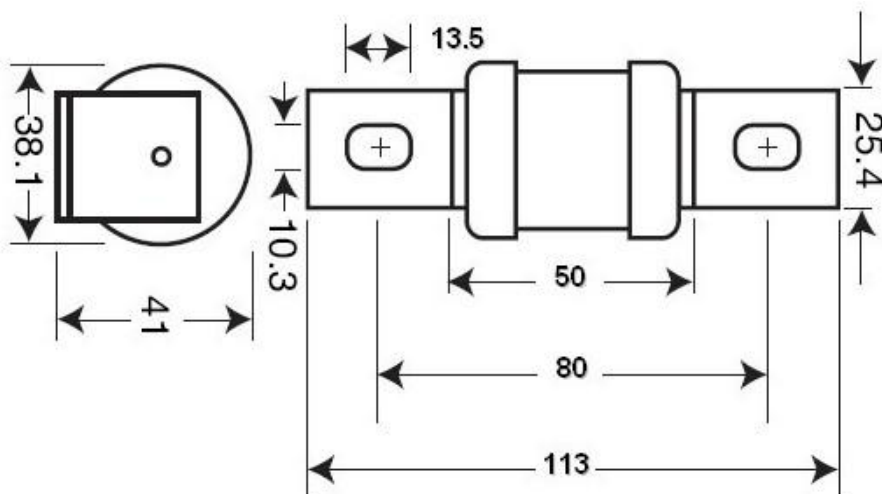
Description:描述

- High interrupting rating 分断能力 100 kA.
- Voltage ratings电压等级AC 690V/DC 500V.
- Standard执行标准 IEC 60269-Part 4、BS 88 Part 4.
- Class类别及电流范围: aR 、 50 A – 400 A



Kaiert Type 型号规格	Rated Current I_N (A) 电流	Pre-arcting I^2t @1ms A ² S 弧前 I^2t	Total cleaing I^2t @UN A ² S 熔断 I^2t	PowerLoss W 功耗		Cross Reference 国内外熔断器对照表		
				0.8 I_N	I_N	Bussmann	Ferraz	Siba
LBS35A50V690	50	180	990	7.3	14	N/A	X097103	N/A
LBS35A65V690	65	335	1840	8.8	17	N/A	H097113	N/A
LBS35A75V690	75	350	2000	9.7	19.5	N/A	H097136	N/A
LBS35A85V690	85	480	4000	12.2	22.8	N/A	M097163	N/A
LBS35A90V690	90	720	4700	13.2	23.5	N/A	N097164	N/A
LBS35A110V690	110	1180	6900	18.9	25.5	N/A	P097165	50 074 06.100
LBS35A150V690	150	2880	14500	19.1	35.3	N/A	Q097166	50 074 06.150
LBS35A180V690	180	5350	25500	19.7	35.7	N/A	R097167	50 074 06.180
LBS35A200V690	200	9510	46000	20	36.7	N/A	V097170	50 074 06.200
LBS35A250V690	250	21400	110000	20.3	37.5	N/A	W097171	50 074 06.250
LBS35A280V690	280	29100	145000	22.3	38	N/A	A097175	50 074 06.280
LBS35A315V690	315	38100	180000	26	42	N/A	B097176	50 074 06.315
LBS35A355V690	355	48200	215000	26.9	48	N/A	C097177	50 074 06.355
LBS35A400V690	400	72000	305000	27	50	N/A	D097178	N/A

Dimensions 安装尺寸 (mm):



Fuses for Semiconductor Protection 半导体保护熔断器

European-British Standard 英式标准

Size尺寸 35×80Tmm **Rated Voltage额定电压 AC690V** **Standard标准 BS88-4**

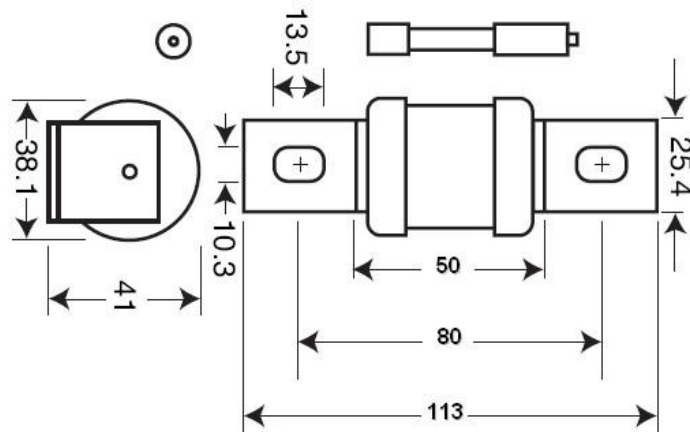
Description:描述

- High interrupting rating 分断能力 100 kA.
- Voltage ratings 电压等级 AC 690V/DC 500V.
- Standard 执行标准 IEC 60269-Part 4、BS 88 Part 4.
- with striker for microswitch operation 带撞击器
- Class 类别及电流范围: aR 、 50 A – 400 A



Kaiert Type 型号规格	Rated Current I _N (A) 电流	Pre-arcing I ² t @1ms A ² S 弧前 I ² t	Total clearing I ² t @UN A ² S 熔断 I ² t	Power Loss W 功耗		Cross Reference 国内外熔断器对照表		
				0.8I _N	I _N	Bussmann	Ferraz	Siba
LBS35A50V690T	50	180	990	7.3	14	N/A	N/A	N/A
LBS35A65V690T	65	335	1840	8.8	17	N/A	N/A	N/A
LBS35A75V690T	75	350	2000	9.7	19.5	N/A	N/A	N/A
LBS35A85V690T	85	480	4000	12.2	22.8	N/A	N/A	N/A
LBS35A90V690T	90	720	4700	13.2	23.5	N/A	H097182	N/A
LBS35A110V690T	110	1180	6900	18.9	25.5	N/A	J097183	N/A
LBS35A150V690T	150	2880	14500	19.1	35.3	N/A	K097184	N/A
LBS35A180V690T	180	5350	25500	19.7	35.7	180FM、180MT	L097185	N/A
LBS35A200V690T	200	9510	46000	20	36.7	200FM、200MT	N097187	N/A
LBS35A250V690T	250	21400	110000	20.3	37.5	250FM、250MT	P097188	N/A
LBS35A280V690T	280	29100	145000	22.3	38	250FM、250MT	Q097190	N/A
LBS35A315V690T	315	38100	180000	26	42	315FM、315MT	V097193	N/A
LBS35A355V690T	355	48200	215000	26.9	48	355FM、355MT	Y097196	N/A
LBS35A400V690T	400	72000	305000	27	50	N/A	M097209	N/A

Dimensions 安装尺寸 (mm):



Fuses for Semiconductor Protection 半导体保护熔断器

European-British Standard 英式标准

Size尺寸 2×35×80 Rated Voltage额定电压 AC690V Standard标准 BS88-4

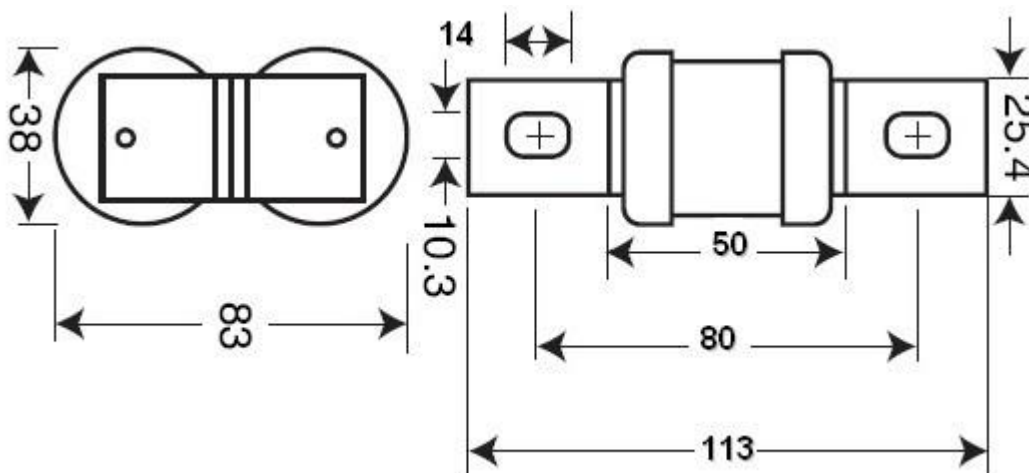
Description:描述

- High interrupting rating 分断能力 100 kA.
- Voltage ratings电压等级 AC 690V/DC 500V.
- Standard执行标准 IEC 60269-Part 4, BS 88 Part 4.
- Class类别及电流范围: aR 、 50 A – 400 A



Kaiert Type 型号规格	Rated Current I _N (A) 电流	Pre-arcing I ² t @1ms A ² S 弧前 I ² t	Total clearing I ² t @UN A ² S 熔断 I ² t	Power Loss W 功耗		Cross Reference 国内外熔断器对照表		
				0.8I _N	I _N	Bussmann	Ferraz	Siba
LBS35DA175V690	175	2880	16000	25	47	N/A	D097270	N/A
LBS35DA200V690	200	3350	18400	26	48	N/A	F097272	N/A
LBS35DA235V690	235	3900	20000	27	50	N/A	J097275	N/A
LBS35DA300V690	300	13700	68000	31.2	59	N/A	K097276	50 075 06.300
LBS35DA325V690	325	21400	102000	32	54	N/A	R097282	50 075 06.325
LBS35DA355V690	355	25200	120000	33	62	N/A	S097283	50 075 06.355
LBS35DA400V690	400	65600	340000	34	64	N/A	T097284	50 075 06.400
LBS35DA450V690	450	75300	390000	36	65	N/A	Y097288	50 075 06.450
LBS35DA500V690	500	85600	440000	37	69	N/A	Z097289	50 075 06.500
LBS35DA630V690	630	152000	720000	45	85	N/A	B097291	50 075 06.630
LBS35DA710V690	710	19300	800000	51	97	N/A	S097352	50 075 06.710
LBS35DA800V690	800	282000	1220000	53	100	N/A	Y097357	N/A

Dimensions 安装尺寸 (mm):



Fuses for Semiconductor Protection 半导体保护熔断器

European-British Standard 英式标准

Size尺寸 2×35×80T Rated Voltage额定电压 AC690V Standard标准 BS88-4

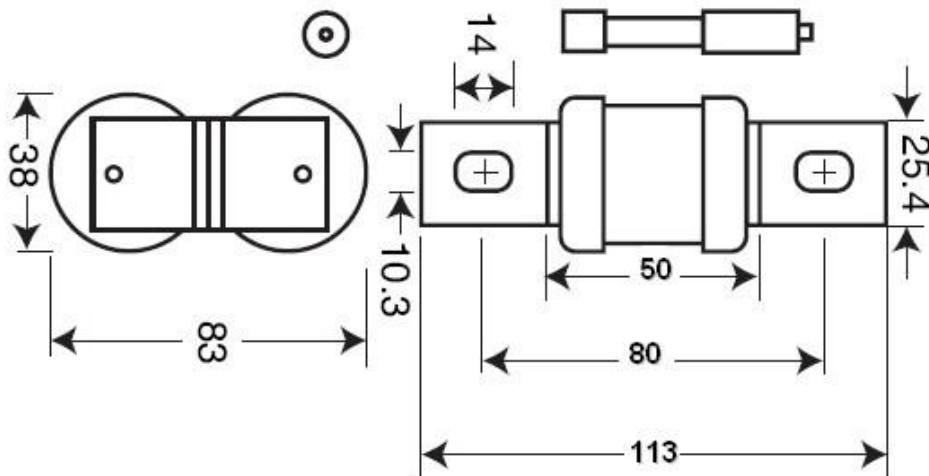
Description:描述

- High interrupting rating 分断能力 100 kA.
- Voltage ratings 电压等级 AC 690V/DC 500V.
- Standard 执行标准 IEC 60269-Part 4、BS 88 Part 4.
- with striker for microswitch operation 带撞击器
- Class 类别及电流范围: aR 、 50 A – 400 A



Kaiert Type 型号规格	Rated Current I _N (A) 电流	Pre-arcing I ² t @1ms A ² S 弧前 I ² t	Total clearing I ² t @UN A ² S 熔断 I ² t	Power Loss W 功耗		Cross Reference 国内外熔断器对照表		
				0.8I _N	I _N	Bussmann	Ferraz	Siba
LBS35DA175V690T	175	2880	16000	25	47	180MMT	A097359	N/A
LBS35DA200V690T	200	3350	18400	26	48	200MMT	E097363	N/A
LBS35DA235V690T	235	3900	20000	27	50	235MMT	F097364	N/A
LBS35DA300V690T	300	13700	68000	31.2	59	300MMT	G097365	N/A
LBS35DA325V690T	325	21400	102000	32	54	325MMT	Q097373	N/A
LBS35DA355V690T	355	25200	120000	33	62	350MMT	R097374	N/A
LBS35DA400V690T	400	65600	340000	34	64	400MMT、400FMM	S097375	N/A
LBS35DA450V690T	450	75300	390000	36	65	450MMT、450FMM	T097376	N/A
LBS35DA500V690T	500	85600	440000	37	69	500MMT、500FMM	V097377	N/A
LBS35DA630V690T	630	152000	720000	45	85	630MMT、630FMM	J097390	N/A
LBS35DA710V690T	710	19300	800000	51	97	710MMT、710FMM	B097452	N/A
LBS35DA800V690T	800	282000	1220000	53	100	N/A	E097455	N/A

Dimensions 安装尺寸 (mm):



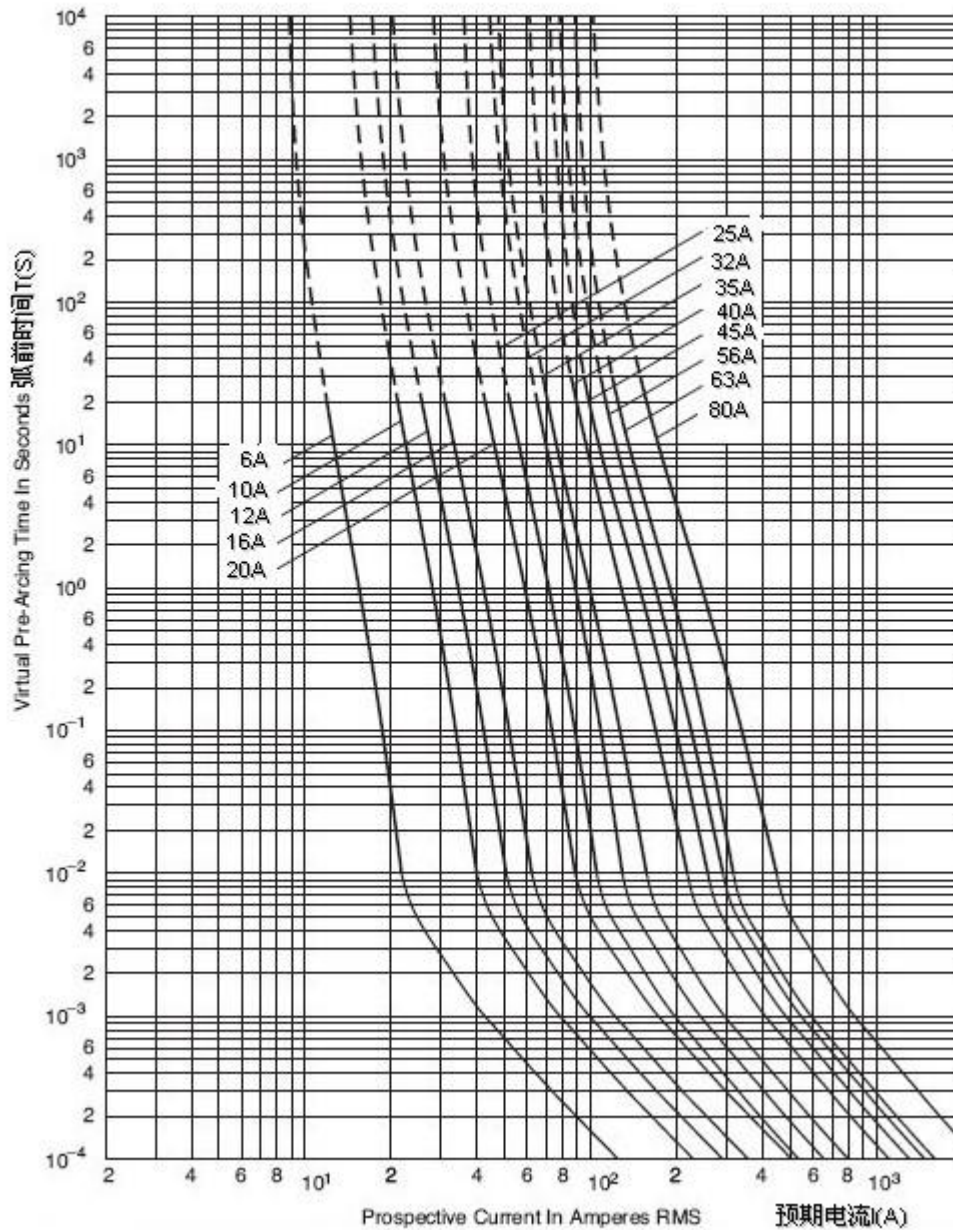
Fuses for Semiconductor Protection 半导体保护熔断器

European-British Standard 英式标准

Time- Current Characteristics 时间-电流特性

Kaiert Fuses

Time-Current Curve:6A~80A 690V

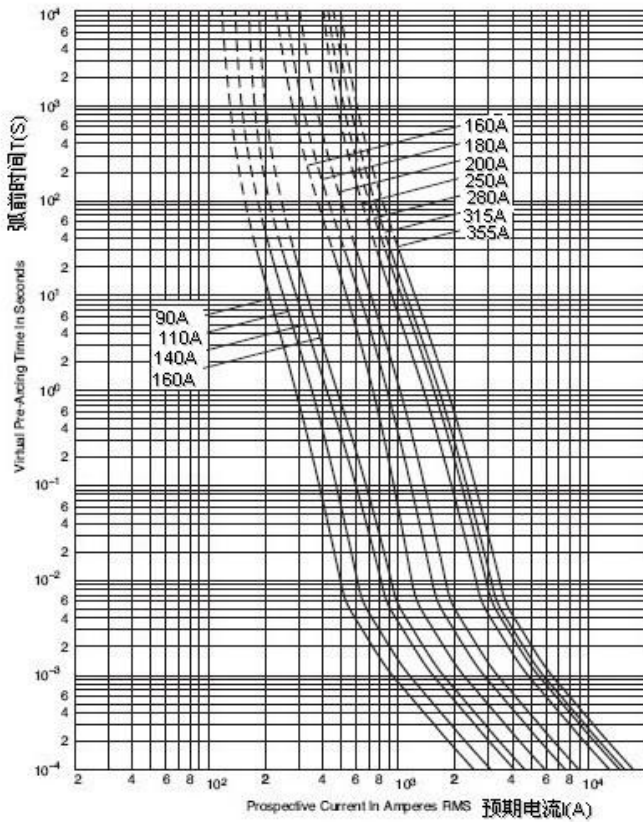


Fuses for Semiconductor Protection 半导体保护熔断器

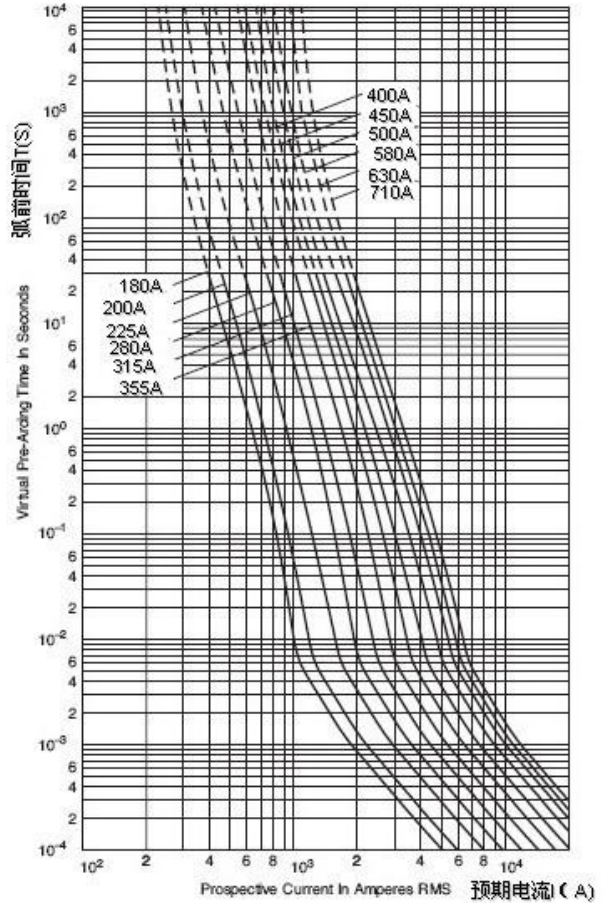
European-British Standard 英式标准

Time- Current Characteristics 时间-电流特性 Kaiert Fuses

Time-Current Curve 90A~355A: 690V



Time-Current Curve 180A~710A: 690V

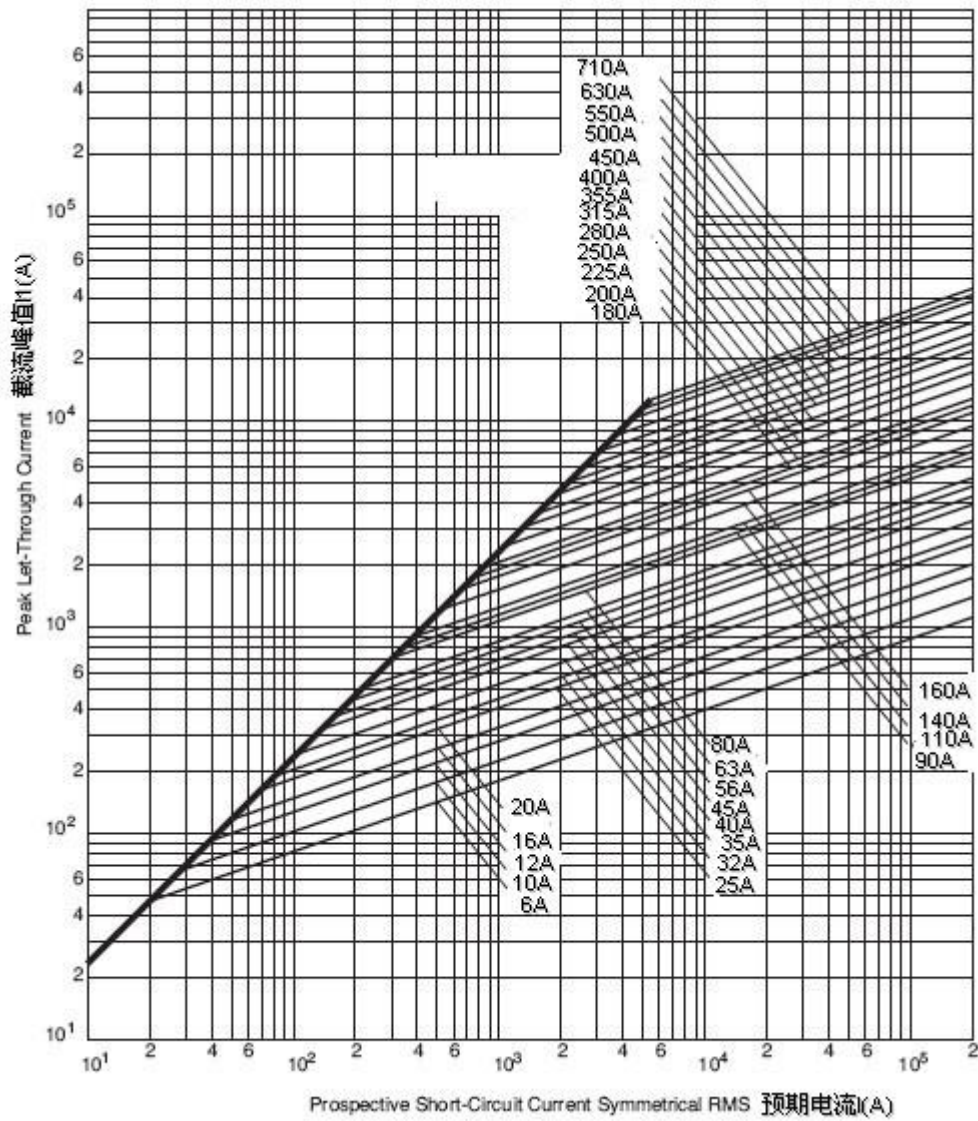


Fuses for Semiconductor Protection 半导体保护熔断器

European-British Standard 英式标准

Cut-Off Current Diagram 限流特性曲线

Kaiert Fuses



Fuses for Semiconductor Protection 半导体保护熔断器

European-British Standard 英式标准

Size尺寸000 DIN70 Rated Voltage额定电压AC690V Standard标准IEC60629-4

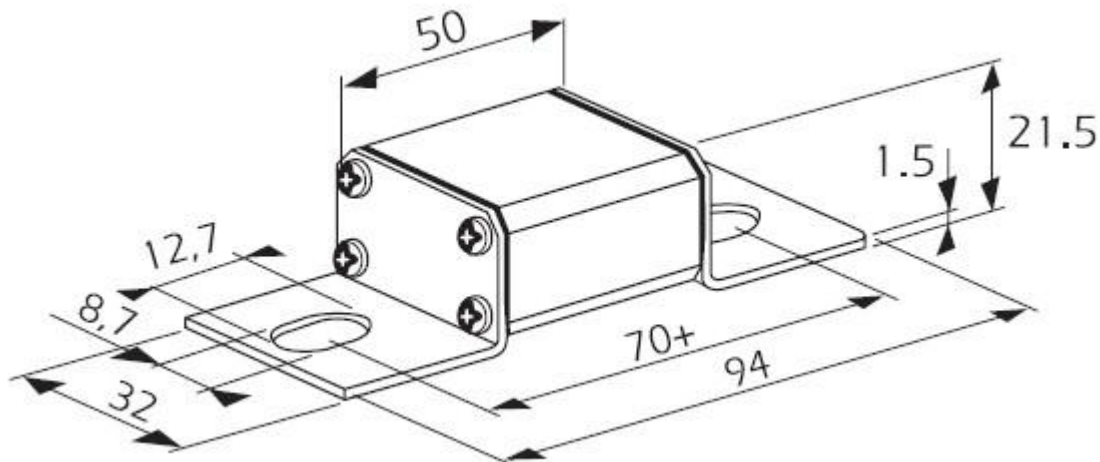
Description:描述

- High interrupting rating 分断能力 200 kA.
- Voltage ratings 电压等级 AC 690V/DC 500V.
- Standard 执行标准 IEC 60269-Part 、4BS 88 Part 4.
- Class 类别及电流范围: aR 、20 A – 400 A



Kaiert Type 型号规格	Rated Current _N (A) 电流	Pre-arcing I ² t @1ms A ² S 弧前 I ² t	Total clearing I ² t @UN A ² S 熔断 I ² t	Power Loss W 功耗		Cross Reference 国内外熔断器对照表		
				0.8I _N	I _N	Bussmann	Ferraz	Siba
LBS000A20V690E70	20	12	80	3.8	7	N/A	T330044	N/A
LBS000A25V690E70	25	20	150	5.0	9	170M1750	V330045	N/A
LBS000A32V690E70	32	39	270	5.5	10	170M1751	W330046	20 559 20 32
LBS000A40V690E70	40	70	460	6.6	12	170M1752	X330047	20 559 20 40
LBS000A50V690E70	50	102	730	7.7	14	170M1753	Z330049	20 559 20 50
LBS000A63V690E70	63	210	1500	8.8	16	170M1754	A330050	20 559 20 63
LBS000A80V690E70	80	475	2900	8.9	18	170M1755	N330108	20 559 20 80
LBS000A100V690E70	100	970	6000	11	20	170M1756	H330103	20 559 20 100
LBS000A125V690E70	125	1900	11800	12	21	170M1757	D330109	20 559 20 125
LBS000A160V690E70	160	2700	16000	17	31	170M1758	F330055	20 559 20 160
LBS000A200V690E70	200	5250	31500	20	36	170M1759	G330056	20 559 20 200
LBS000A250V690E70	250	9900	52000	25	45	170M1760	H330057	20 559 20 250
LBS000A315V690E70	315	15500	82000	32	58	170M1761	J330058	20 559 20 315
LBS000A350V690E70	350	22400	110000	33	60	170M1762	X330116	N/A
LBS000A400V690E70	400	33200	160000	36	68	N/A	G330194	N/A

Dimensions 安装尺寸 (mm):



Fuses for Semiconductor Protection 半导体保护熔断器

European-British Standard 英式标准

Size尺寸000 DIN70T Rated Voltage额定电压AC690V Standard标准IEC60629-4

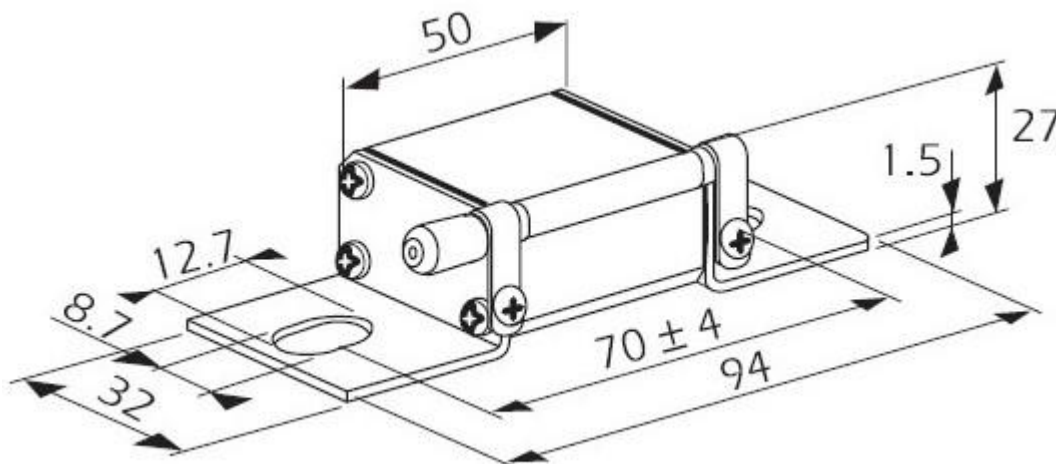
Description:描述

- High interrupting rating 分断能力 200 kA.
- Voltage ratings 电压等级 AC 690V/DC 500V.
- Standard 执行标准 IEC 60269-Part 、4BS 88 Part 4.
- with striker for microswitch operation 带撞击器
- Class 类别及电流范围: aR 、 20 A – 400 A



Kaiert Type 型号规格	Rated Current I _n (A) 电流	Pre-arcing I ² t @1ms A ² S 弧前 I ² t	Total clearing I ² t @UN A ² S 熔断 I ² t	Power Loss W 功耗		Cross Reference 国内外熔断器对照表		
				0.8I _n	I _n	Bussmann	Ferraz	Siba
LBS000A20V690E70T	20	12	80	3.8	7	N/A	Y330117	N/A
LBS000A25V690 E70T	25	20	150	5.0	9	170M1730	Z330118	N/A
LBS000A32V690 E70T	32	39	270	5.5	10	170M1731	A330119	20 559 21 32
LBS000A40V690 E70T	40	70	460	6.6	12	170M1732	B330120	20 559 21 40
LBS000A50V690 E70T	50	102	730	7.7	14	170M1733	C330121	20 559 21 50
LBS000A63V690 E70T	63	210	1500	8.8	16	170M1734	D330122	20 559 21 63
LBS000A80V690 E70T	80	475	2900	8.9	18	170M1735	E330123	20 559 21 80
LBS000A100V690 E70T	100	970	6000	11	20	170M1736	F330124	20 559 21 100
LBS000A125V690 E70T	125	1900	11800	12	21	170M1737	G330125	20 559 21 125
LBS000A160V690 E70T	160	2700	16000	17	31	170M1738	P330132	20 559 21 160
LBS000A200V690 E70T	200	5250	31500	20	36	170M1739	Q330133	20 559 21 200
LBS000A250V690 E70T	250	9900	52000	25	45	170M1740	R330134	20 559 21 250
LBS000A315V690 E70T	315	15500	82000	32	58	170M1741	S330135	20 559 21 315
LBS000A350V690 E70T	350	22400	110000	33	60	170M1742	T330136	N/A
LBS000A400V690 E70T	400	33200	160000	36	68	N/A	H330195	N/A

Dimensions 安装尺寸 (mm):



Fuses for Semiconductor Protection 半导体保护熔断器

European-British Standard 英式标准

Size尺寸000 DIN2-70 Rated Voltage额定电压AC690V Standard标准IEC60629-4

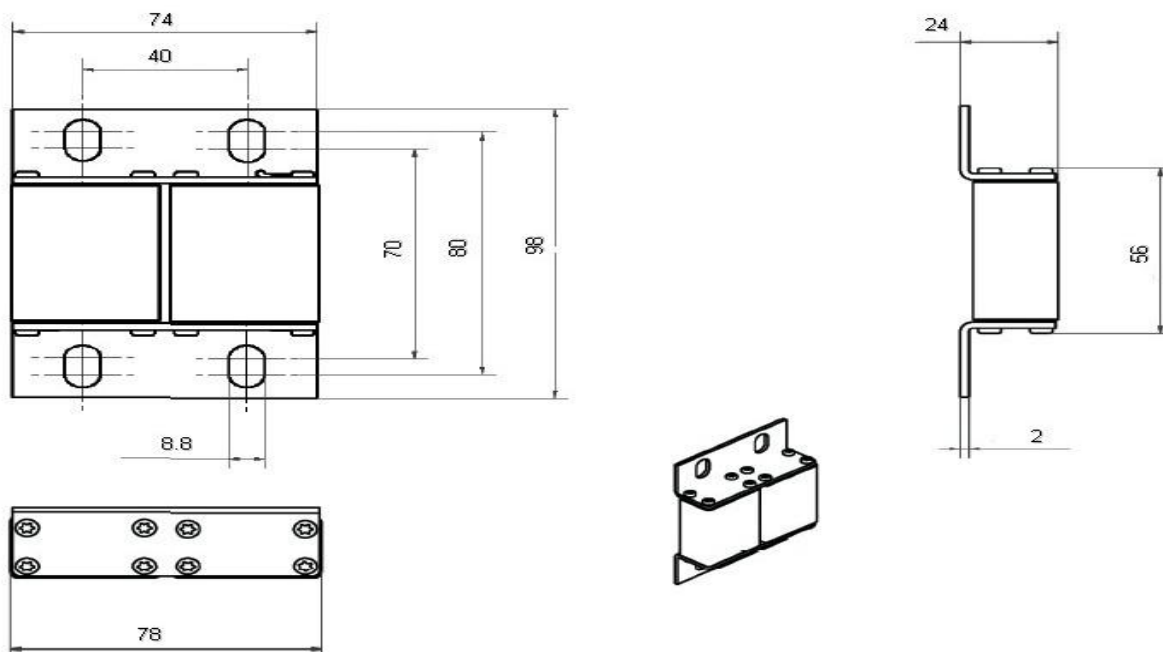
Description:描述

- High interrupting rating 分断能力 200 kA.
- Voltage ratings 电压等级 AC 690V/DC 500V.
- Standard 执行标准 IEC 60269-Part 4、4BS 88 Part 4.
- Class 类别及电流范围: aR 、 100 A – 630 A



Kaiert Type 型号规格	Rated Current I _n (A) 电流	Pre-arcing I ² t @1ms A ² S 弧前 I ² t	Total clearing I ² t @UN A ² S 熔断 I ² t	Power Loss W 功耗		Cross Reference 国内外熔断器对照表		
				0.8I _n	I _n	Bussmann	Ferraz	Siba
LBS000AD100V690E70	100	380	1950	17	35	170M1770	N/A	N/A
LBS000DA125V690 E70	125	645	3300	22	42	170M1771	N/A	N/A
LBS000DA160V690 E70	160	1350	7000	23	47	170M1772	N/A	N/A
LBS000DA200V690 E70	200	2550	13500	26	54	170M1773	N/A	N/A
LBS000DA250V690 E70	250	4950	25000	30	62	170M1774	N/A	N/A
LBS000DA315V690 E70	315	9350	47500	34	72	170M1775	N/A	N/A
LBS000DA350V690 E70	350	12000	61000	38	78	170M1776	N/A	N/A
LBS000DA400V690 E70	400	18500	94500	40	80	170M1777	N/A	N/A
LBS000DA450V690 E70	450	27000	140000	42	85	170M1778	N/A	N/A
LBS000DA500V690 E70	500	37500	190000	45	90	170M1779	N/A	N/A
LBS000DA550V690 E70	550	48500	245000	50	95	170M1780	N/A	N/A
LBS000DA630V690 E70	630	69500	355000	55	105	170M1781	N/A	N/A

Dimensions 安装尺寸 (mm):



Size尺寸000 DIN2-70T Rated Voltage额定电压AC690V Standard标准IEC60629-4

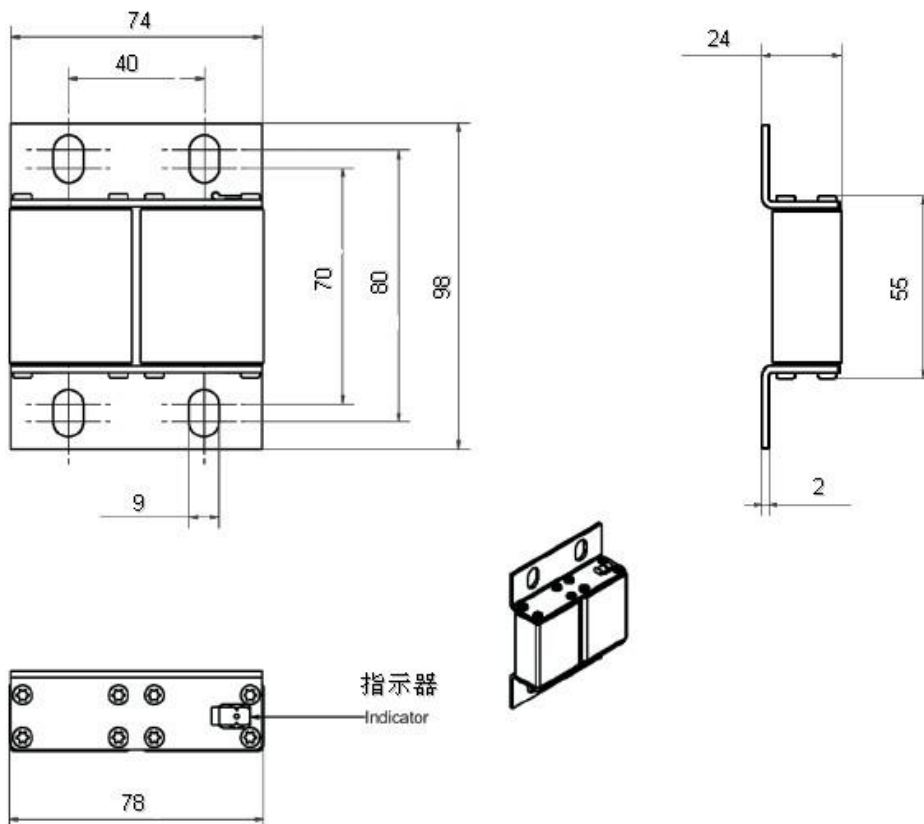
Description:描述

- High interrupting rating 分断能力 200 kA.
- Voltage ratings电压等级AC 690V/DC 500V.
- Standard执行标准 IEC 60269-Part 、4BS 88 Part 4.
- with striker for microswitch operation 带撞击器
- Class类别及电流范围: aR 、100 A – 630 A



Kaiert Type 型号规格	Rated Current I_n (A) 电流	Pre-arcing I^2t @1ms A ² S 弧前 I^2t	Total clearing I^2t @UN A ² S 熔断 I^2t	Power Loss W 功耗		Cross Reference 国内外熔断器对照表		
				0.8 I_n	I_n	Bussmann	Ferraz	Siba
LBS000AD100V690E70T	100	380	1950	17	35	170M1785	N/A	N/A
LBS000DA125V690 E70T	125	645	3300	22	42	170M1786	N/A	N/A
LBS000DA160V690 E70T	160	1350	7000	23	47	170M1787	N/A	N/A
LBS000DA200V690 E70T	200	2550	13500	26	54	170M1788	N/A	N/A
LBS000DA250V690 E70T	250	4950	25000	30	62	170M1789	N/A	N/A
LBS000DA315V690 E70T	315	9350	47500	34	72	170M1790	N/A	N/A
LBS000DA350V690 E70T	350	12000	61000	38	78	170M1791	N/A	N/A
LBS000DA400V690 E70T	400	18500	94500	40	80	170M1792	N/A	N/A
LBS000DA450V690 E70T	450	27000	140000	42	85	170M1793	N/A	N/A
LBS000DA500V690 E70T	500	37500	190000	45	90	170M1794	N/A	N/A
LBS000DA550V690 E70T	550	48500	245000	50	95	170M1795	N/A	N/A
LBS000DA630V690 E70T	630	69500	355000	55	105	170M1796	N/A	N/A

Dimensions 安装尺寸 (mm):



Fuses for Semiconductor Protection 半导体保护熔断器

European-British Standard 英式标准

Size尺寸000 DIN85 Rated Voltage额定电压AC690V Standard标准IEC60629-4

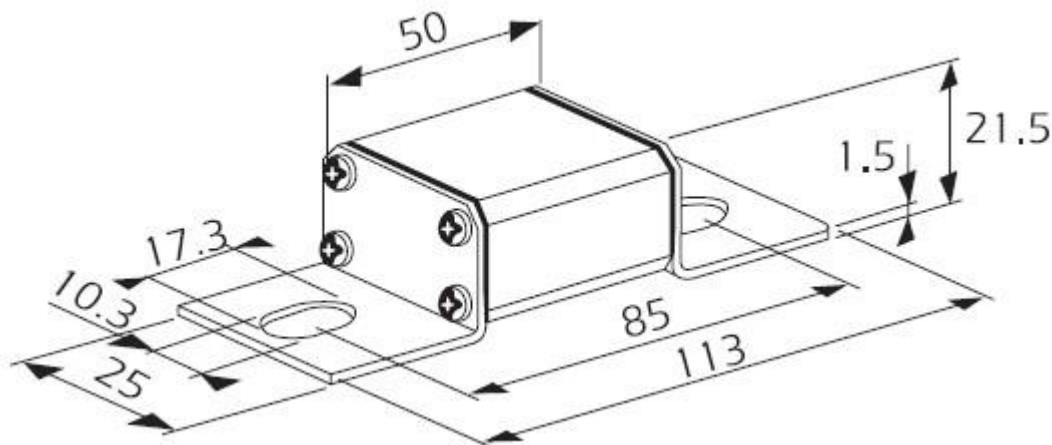
Description:描述

- High interrupting rating 分断能力 200 kA.
- Voltage ratings电压等级AC 690V/DC 500V.
- Standard执行标准 IEC 60269-Part 、4BS 88 Part 4.
- Class类别及电流范围: aR 、 20 A – 400 A



Kaiert Type 型号规格	Rated Current I _N (A) 电流	Pre-arcing I ² t @1ms A ² S 弧前 I ² t	Total clearing I ² t @UN A ² S 熔断 I ² t	Power Loss W 功耗		Cross Reference 国内外熔断器对照表		
				0.8I _N	I _N	Bussmann	Ferraz	Siba
LBS000A50V690E85	50	102	730	7.7	14	N/A	V330137	N/A
LBS000A65V690E85	65	210	1500	8.8	16	N/A	W330138	N/A
LBS000A75V690E85	75	390	2500	9.4	17	N/A	X330139	N/A
LBS000A85V690E85	85	540	3300	10.5	19	N/A	Y330140	N/A
LBS000A90V690E85	90	690	4200	13.2	24	N/A	Z330141	N/A
LBS000A110V690E85	110	1300	8900	13.8	25	N/A	A330142	20 561 20 110
LBS000A150V690E85	150	2700	16000	14.3	26	N/A	B330143	20 561 20 125
LBS000A180V690E85	180	5250	31500	14.9	27	N/A	C330144	20 561 20 160
LBS000A200V690E85	200	9900	52000	15.4	28	N/A	D330145	20 561 20 200
LBS000A250V690E85	250	15500	72000	17.6	32	N/A	E330146	20 561 20 250
LBS000A280V690E85	280	16500	82000	23.7	43	N/A	F330147	N/A
LBS000A315V690E85	315	17500	92400	29.1	50	N/A	N/A	20 561 20 315
LBS000A350V690E85	350	22400	126000	29.7	54	N/A	N/A	20 561 20 350
LBS000A400V690E85	400	33200	208000	30.8	56	N/A	N/A	20 561 20 400

Dimensions 安装尺寸 (mm):



Fuses for Semiconductor Protection 半导体保护熔断器

European-British Standard 英式标准

Size尺寸000 DIN85T Rated Voltage额定电压AC690V Standard标准IEC60629-4

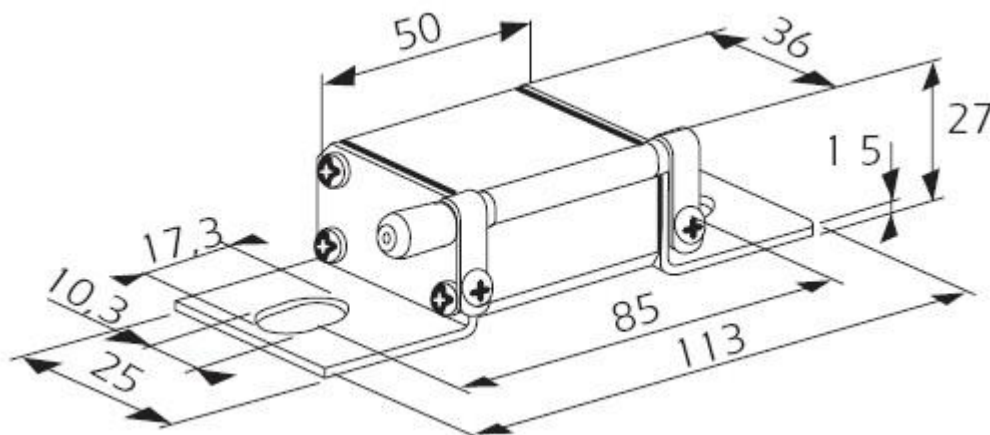
Description:描述

- High interrupting rating 分断能力 200 kA.
- Voltage ratings电压等级AC 690V/DC 500V.
- Standard执行标准 IEC 60269-Part 、4BS 88 Part 4.
- with striker for microswitch operation 带撞击器
- Class类别及电流范围: aR 、50 A – 400 A



Kaiert Type 型号规格	Rated Current _N (A) 电流	Pre-arcting I ² t @1ms A ² S 弧前 I ² t	Total clearing I ² t @UN A ² S 熔断 I ² t	Power Loss W 功耗		Cross Reference 国内外熔断器对照表		
				0.8I _N	I _N	Bussmann	Ferraz	Siba
LBS000A50V690E85T	50	102	730	7.7	14	N/A	N/A	N/A
LBS000A65V690E85T	65	210	1500	8.8	16	N/A	N/A	N/A
LBS000A75V690E85T	75	390	2500	9.4	17	N/A	N/A	N/A
LBS000A85V690E85T	85	540	3300	10.5	19	N/A	N/A	N/A
LBS000A90V690E85T	90	690	4200	13.2	24	N/A	G330148	N/A
LBS000A110V690E85T	110	1300	8900	13.8	25	N/A	H330149	20 561 22 110
LBS000A150V690E85T	150	2700	16000	14.3	26	N/A	J330150	20 561 22 125
LBS000A180V690E85T	180	5250	31500	14.9	27	N/A	K330151	20 561 22 160
LBS000A200V690E85T	200	9900	52000	15.4	28	N/A	L330152	20 561 22 200
LBS000A250V690E85T	250	15500	72000	17.6	32	N/A	M330153	20 561 22 250
LBS000A280V690E85T	280	16500	82000	23.7	43	N/A	N330154	N/A
LBS000A315V690E85T	315	17500	92400	29.1	50	N/A	N/A	20 561 22 315
LBS000A350V690E85T	350	22400	126000	29.7	54	N/A	N/A	20 561 22 350
LBS000A400V690E85T	400	33200	208000	30.8	56	N/A	N/A	20 561 22 400

Dimensions 安装尺寸 (mm):



Fuses for Semiconductor Protection 半导体保护熔断器

European-British Standard 英式标准

Size尺寸000 DIN2-85 Rated Voltage额定电压AC690V Standard标准IEC60629-4

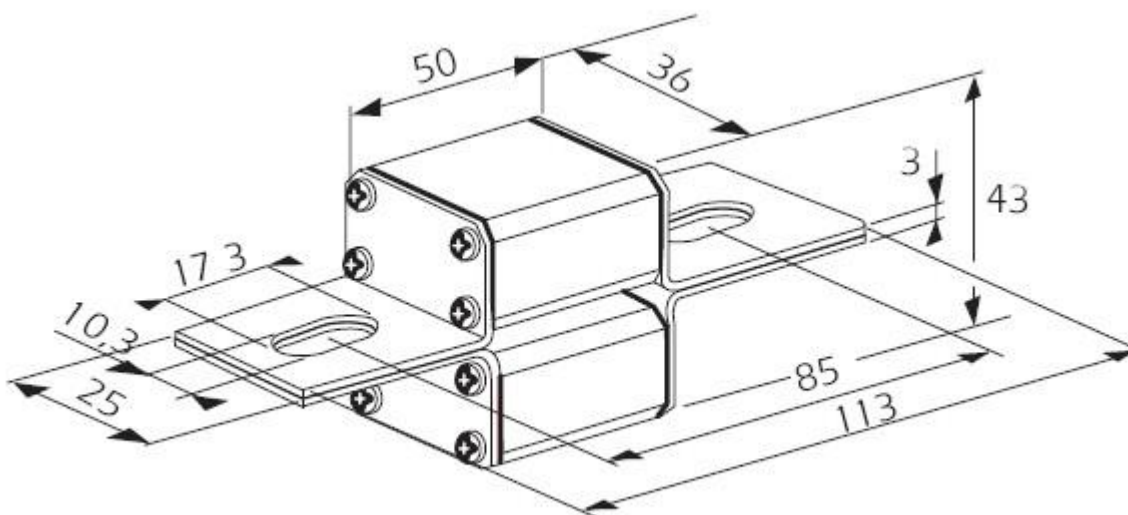
Description:描述

- High interrupting rating 分断能力 200 kA.
- Voltage ratings电压等级AC 690V/DC 500V.
- Standard执行标准 IEC 60269-Part 、4BS 88 Part 4.
- Class类别及电流范围: aR 、100 A – 630 A



Kaiert Type 型号规格	Rated Current I _n (A) 电流	Pre-arcing I ² t @1ms A ² S 弧前 I ² t	Total clearing I ² t @UN A ² S 熔断 I ² t	Power Loss W 功耗		Cross Reference 国内外熔断器对照表		
				0.8I _n	I _n	Bussmann	Ferraz	Siba
LBS000DA175V690E85	175	2760	16800	18.2	33	N/A	P330155	N/A
LBS000DA200V690 E85	200	3800	25000	20.4	37	N/A	Q330156	N/A
LBS000DA235V690 E85	235	5200	35600	24.2	44	N/A	R330157	N/A
LBS000DA300V690 E85	300	10800	64000	28.6	52	N/A	S330158	N/A
LBS000DA325V690 E85	325	15400	92400	29.1	53	N/A	T330159	N/A
LBS000DA355V690 E85	355	21000	126000	29.7	54	N/A	V330160	N/A
LBS000DA400V690 E85	400	39600	208000	30.8	56	N/A	W330161	20 563 20.400
LBS000DA450V690 E85	450	40000	210000	33	60	N/A	X330162	20 563 20.450
LBS000DA500V690 E85	500	62000	328000	35.2	64	N/A	Y330163	20 563 20.500
LBS000DA630V690 E85	630	76 800	358 000	50	105	N/A	N/A	20 563 20.630
LBS000DA700V690 E85	700	95 200	384 000	58	118	N/A	N/A	20 563 20.700
LBS000DA800V690 E85	800	129 000	404 000	65	147	N/A	N/A	20 563 20.800

Dimensions 安装尺寸 (mm):



Fuses for Semiconductor Protection 半导体保护熔断器

European-British Standard 英式标准

Size尺寸000 DIN2-85T Rated Voltage额定电压AC690V Standard标准IEC60629-4

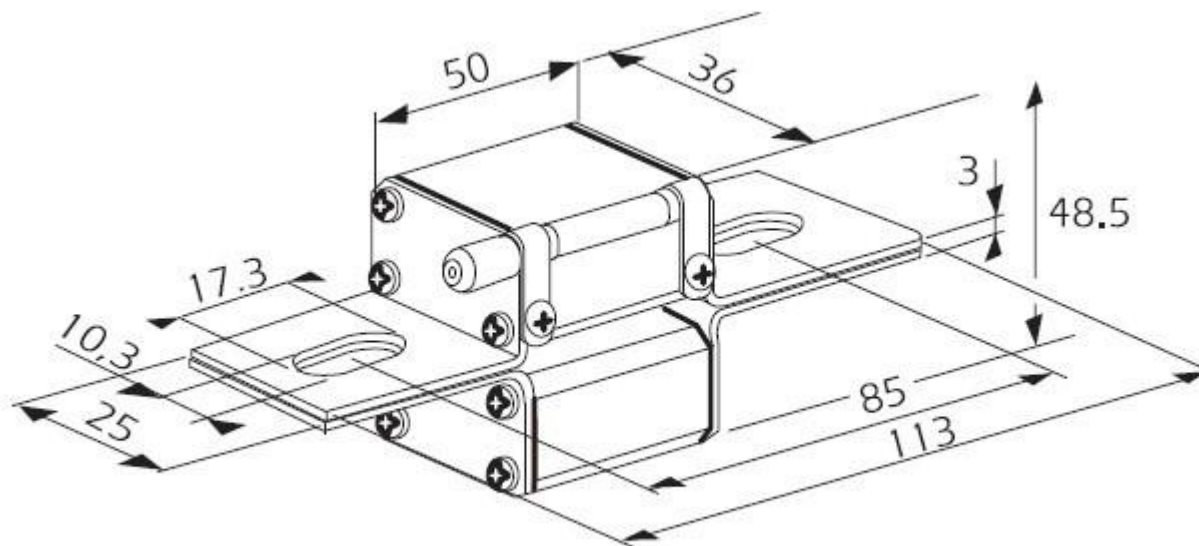
Description:描述

- High interrupting rating 分断能力 200 kA.
- Voltage ratings电压等级AC 690V/DC 500V.
- Standard执行标准 IEC 60269-Part 、4BS 88 Part 4.
- Class类别及电流范围: aR 、100 A – 630 A



Kaiert Type 型号规格	Rated Current I _N (A) 电流	Pre-arcing I ² t @1ms A ² S 弧前 I ² t	Total clearing I ² t @UN A ² S 熔断 I ² t	Power Loss W 功耗		Cross Reference 国内外熔断器对照表		
				0.8I _N	I _N	Bussmann	Ferraz	Siba
LBS000DA175V690E85T	175	2760	16800	18.2	33	N/A	Z330164	N/A
LBS000DA200V690 E85T	200	3800	25000	20.4	37	N/A	A330165	N/A
LBS000DA235V690 E85T	235	5200	35600	24.2	44	N/A	B330166	N/A
LBS000DA300V690 E85T	300	10800	64000	28.6	52	N/A	C330167	N/A
LBS000DA325V690 E85T	325	15400	92400	29.1	53	N/A	D330168	N/A
LBS000DA355V690 E85T	355	21000	126000	29.7	54	N/A	E330169	N/A
LBS000DA400V690 E85T	400	39600	208000	30.8	56	N/A	F330170	20 563 22.400
LBS000DA450V690 E85T	450	40000	210000	33	60	N/A	G330171	20 563 22.450
LBS000DA500V690 E85T	500	62000	328000	35.2	64	N/A	H330172	20 563 22.500
LBS000DA630V690 E85T	630	76 800	358 000	50	105	N/A	N/A	20 563 22.630
LBS000DA700V690 E85T	700	95 200	384 000	58	118	N/A	N/A	20 563 22.700
LBS000DA800V690 E85T	800	129 000	404 000	65	147	N/A	N/A	20 563 22.800

Dimensions 安装尺寸 (mm):



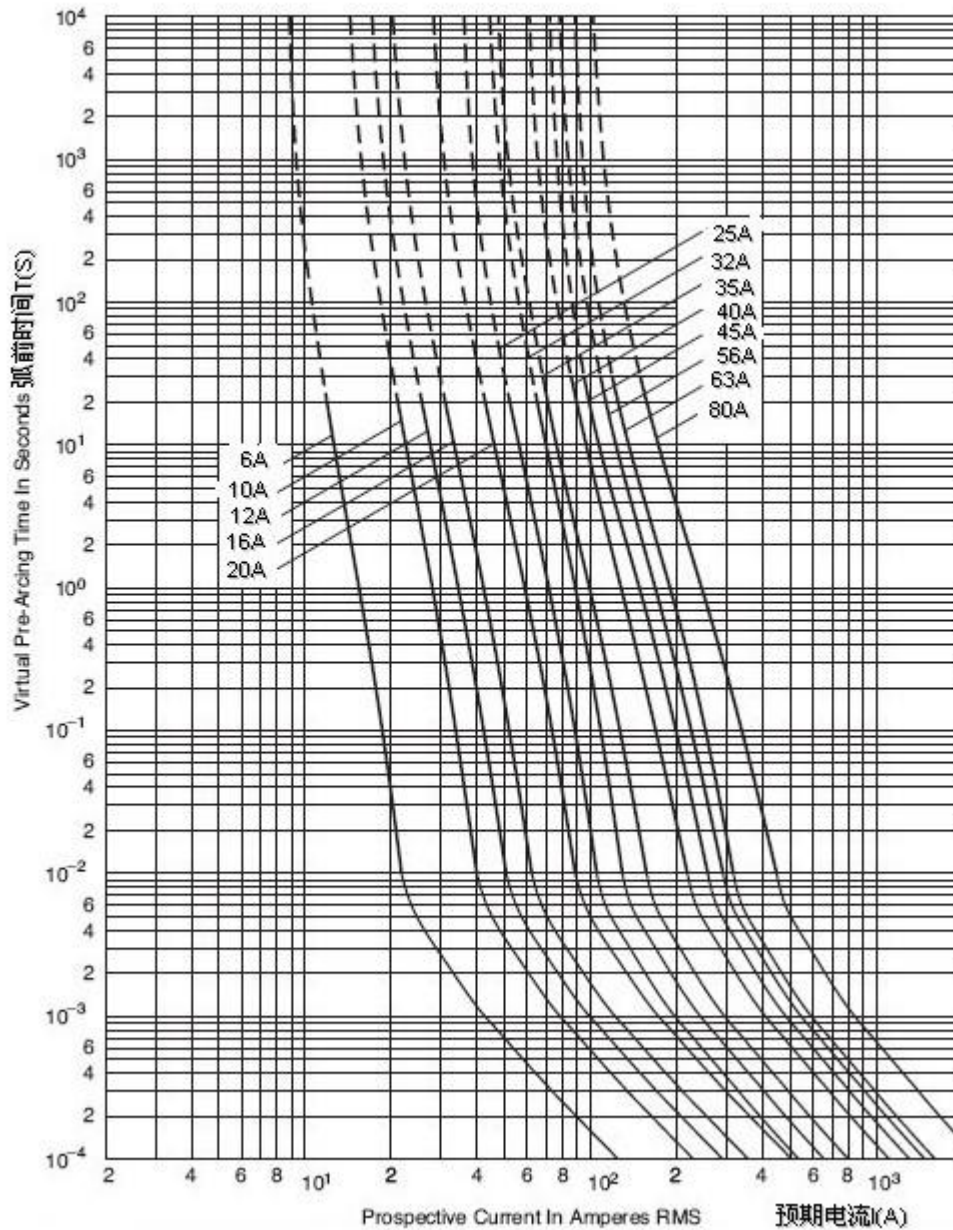
Fuses for Semiconductor Protection 半导体保护熔断器

European-British Standard 英式标准

Time- Current Characteristics 时间-电流特性

Kaiert Fuses

Time-Current Curve:6A~80A 690V

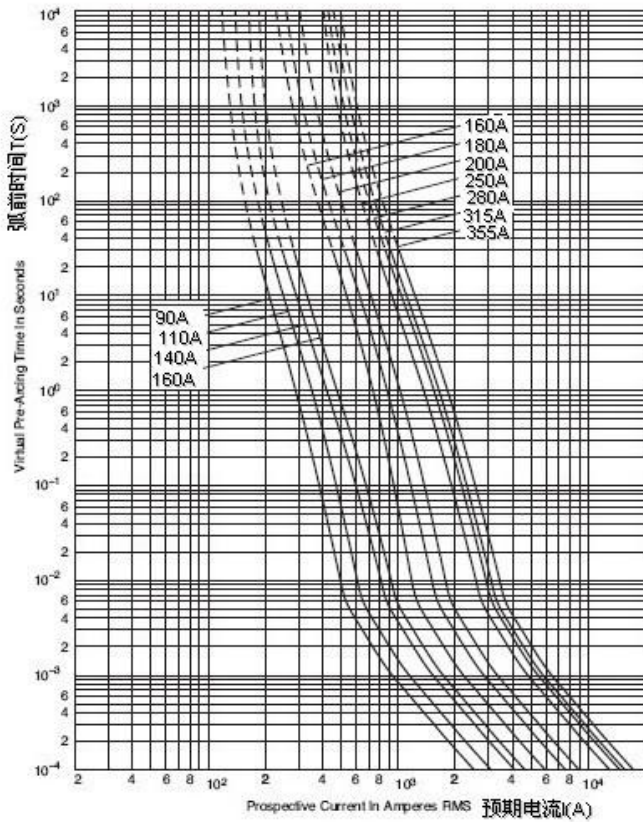


Fuses for Semiconductor Protection 半导体保护熔断器

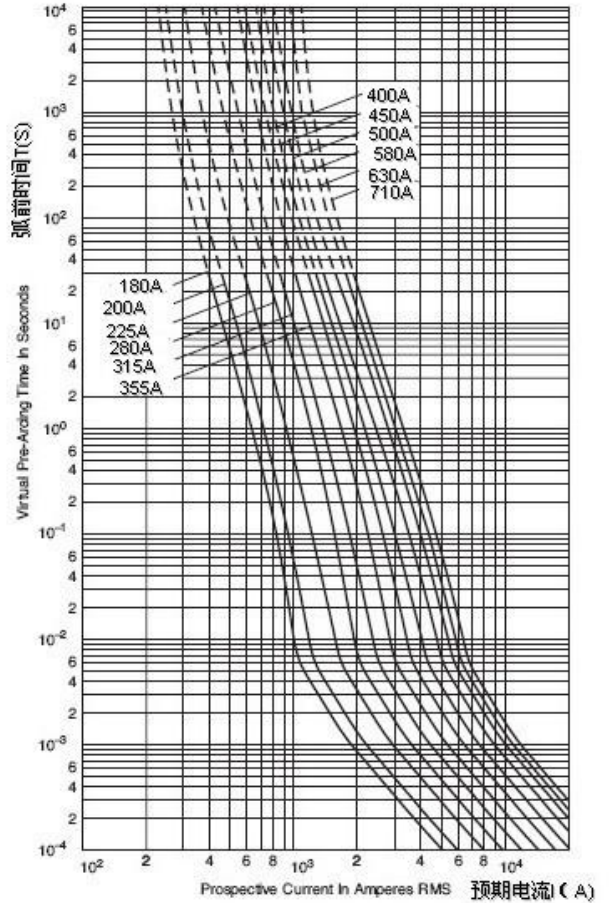
European-British Standard 英式标准

Time- Current Characteristics 时间-电流特性 Kaiert Fuses

Time-Current Curve 90A~355A: 690V



Time-Current Curve 180A~710A: 690V

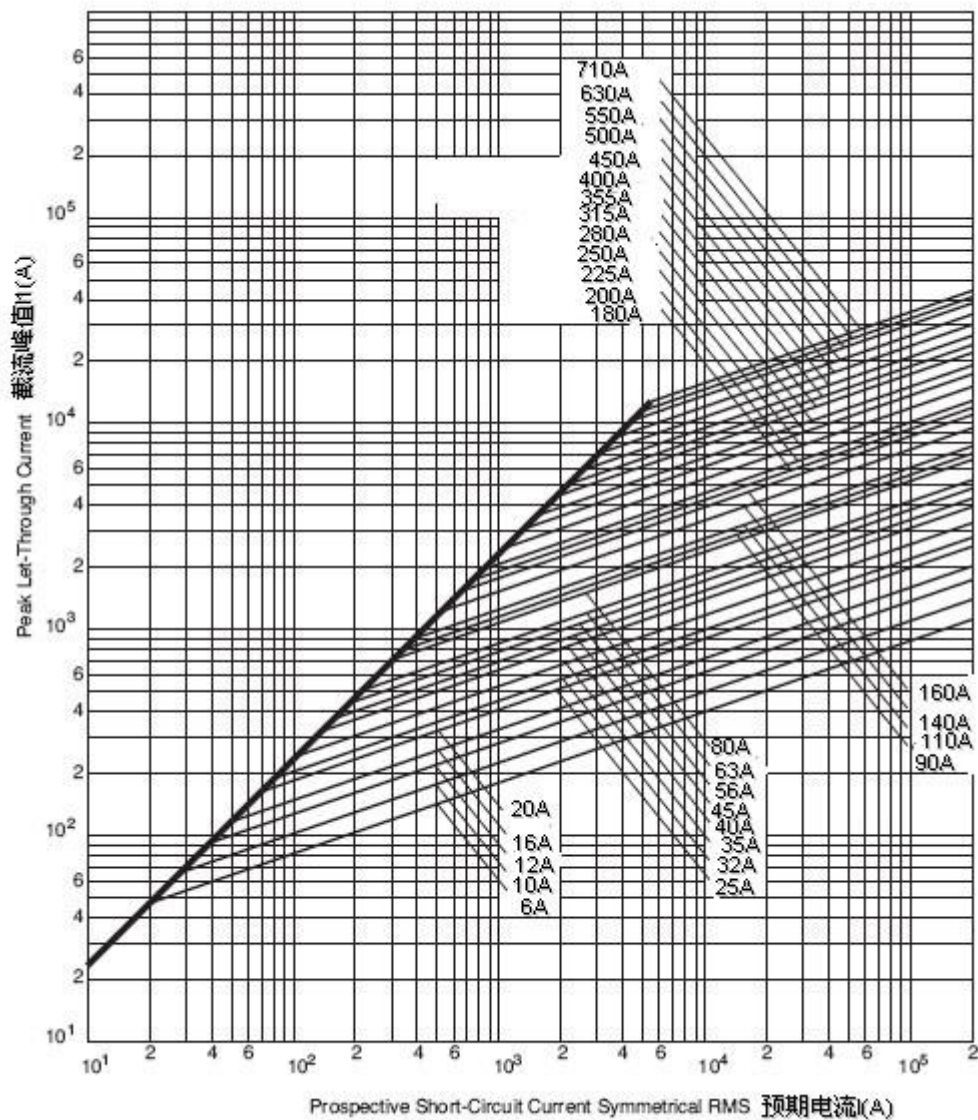


Fuses for Semiconductor Protection 半导体保护熔断器

European-British Standard 英式标准

Cut-Off Current Diagram 限流特性曲线

Kaiert Fuses



名称：西安开尔泰电力电子制造有限公司

地址：西安市经济技术开发区民经工业园民经一路一号

电话：029-86319515、029-88019343 传真：029-86629371

技术支持电话：13991253822、13109528822

网址：www.kaiertfuses.com

邮箱：kaiertfuse@hotmail.com