

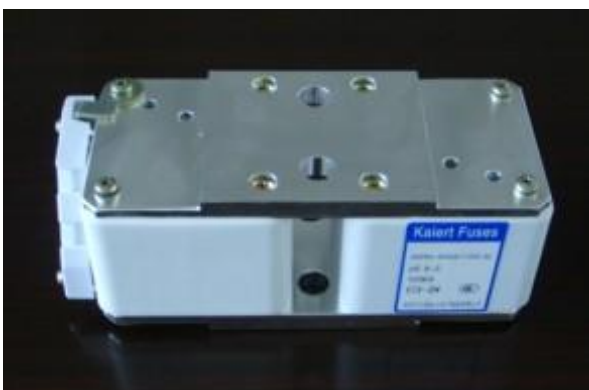
半导体保护快速熔断器 (Flush End Contact)

Fuses for Semiconductor Protection



European Standard

Standard :IEC269.4



Kaiert is a company which designs, manufactures, sells and markets electric materials and has a wide range of product available to cover all your installation. A wide spread sales organization offers our customers a rapid service.

At Kaiert we are always looking for young dynamic persons interested in joining a multinational company; in order to improve professional development, we offer possibility of developing a solid working career.

Product safety is our most important assets, and for this reason at Kaiert, we have a whole set of advanced equipments to ensure the product quality. Our company firmly carries out the **3C**、 **ISO 90001-2008 standard**.

Kaiert fuses protect power semiconductors from the effects of shortcircuits because the super quick disconnect characteristic is far quicker than that of conventional LV HRC fuses. They protect expensive devices and system components such as converters with fuses in the input and in the DC link, UPS systems and soft starters for motors.

The fuses for thyristor sets, railway rectifiers or electrolysis systems were developed specially for these applications.

Specifications

Description: Square body DIN43653 fuses.

Features and Benefits

- Excellent dc performance
- Low arc voltage and low energy let-through (I^2t)
- Low watts loss
- Superior cycling capability

Typical Applications

- DC common bus
- DC drives
- Power converters/rectifiers

Reduced voltage starters

Ratings:

Volts: — 550V、600V、690V、1000V\1250Vac

Amps: — 40A-7500A I_R :— 125kA RMS

Operating Class: aR

690V/700V(IEC/UL) 40-2000A Flush End Contact Square Body Fuses Size0、Size1、Size2、Size3

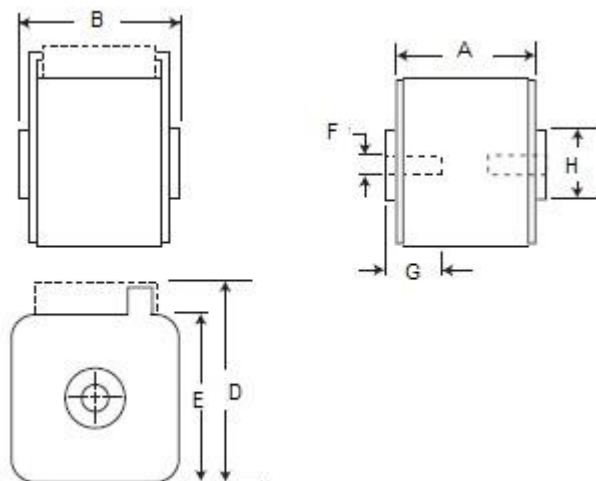
Size	Catalog Numbers		Electrical Characteristics			
	B/-Visual Indicator	-BKN/ 51 Indicator for Micro	Rating Ampere (A)	Pre-arcing I ² t (A ² S)	Total I ² t @ 660V(A ² S)	Watts Loss(W)
0	KSP33408	KSP33458	40	40	270	9
	KSP33409	KSP33459	50	77	515	11
	KSP33410	KSP33460	63	115	770	14
	KSP33411	KSP33461	80	185	1250	18
	KSP33412	KSP33462	100	360	2450	21
	KSP33413	KSP33463	125	550	3700	26
	KSP33414	KSP33464	160	1100	7500	30
	KSP33415	KSP33465	200	2200	15000	35
	KSP33416	KSP33466	250	4200	28500	40
	KSP33417	KSP33467	315	7000	46500	50
	KSP33418	KSP33468	350	10000	68500	55
	KSP33419	KSP33469	400	15000	105000	60
	KSP33420	KSP33470	450	21000	140000	65
	KSP33421	KSP33471	500	27000	180000	70
	KSP33422	KSP33472	550	34000	230000	75
KSP33423	KSP33473	630	48500	325000	80	
1	KSP34408	KSP34458	200	1650	11500	45
	KSP34409	KSP34459	250	3100	21000	55
	KSP34410	KSP34460	315	6200	42000	58
	KSP34411	KSP34461	350	8500	59000	60
	KSP34412	KSP34462	400	13500	91500	65
	KSP34413	KSP34463	450	17000	120000	70
	KSP34414	KSP34464	500	25000	170000	72
	KSP34415	KSP34465	550	34000	230000	75
	KSP34416	KSP34466	630	52000	350000	80
	KSP34417	KSP34467	700	69500	465000	85
	KSP34418	KSP34468	800	105000	725000	95
*KSP34419	KSP34469	*900	155000	850000	100	
2	KSP35408	KSP35458	400	11000	74000	65
	KSP35409	KSP35459	450	15500	105000	70
	KSP35410	KSP35460	500	21500	145000	75
	KSP35411	KSP35461	550	28000	190000	80
	KSP35412	KSP35462	630	41000	275000	90
	KSP35413	KSP35463	700	60500	405000	95
	KSP35414	KSP35464	800	86000	575000	105
	KSP35415	KSP35465	900	125000	840000	110
	KSP35416	KSP35466	1000	180000	1250000	115
	+KSP35417	KSP35467	+1100	245000	1600000	120
	+KSP35418	KSP35468	+1250	365000	2400000	130

690V/700V(IEC/UL) 40-2000A Flush End Contact Square Body Fuses Size0、Size1、Size2、Size3

Size	Catalog Numbers		Electrical Characteristics			
	B/-Visual Indicator	-BKN/ 51 Indicator for Micro	Rating Ampere (A)	Pre-arcing I ² t (A ² S)	Total I ² t @ 660V(A ² S)	Watts Loss(W)
3	KSP36408	KSP36458	500	1400	95000	95
	KSP36409	KSP36459	550	19500	135000	100
	KSP36410	KSP36460	630	31000	210000	105
	KSP36411	KSP36461	700	44500	300000	110
	KSP36412	KSP36462	800	69500	465000	115
	KSP36413	KSP36463	900	100000	670000	120
	KSP36414	KSP36464	1000	140000	945000	125
	KSP36415	KSP36465	1100	190000	1300000	130
	KSP36416	KSP36466	1250	290000	1950000	140
	KSP36417	KSP36467	1400	370000	2450000	155
	KSP36418	KSP36468	1500	460000	3100000	160
	KSP36419	KSP36469	1600	580000	3900000	160
	+KSP36420	KSP36470	+1800	880000	5250000	165
	*KSP36421	KSP36471	*2000	1150000	6350000	175

†Rated voltage (IEC) 600V. *Rated voltage (IEC) 550V.

Dimensions(mm):



CatalogNumbers	A	B	D	E	F	G	H
0BKN/51	48	52	58	41	M8	8	Φ20
1BKN/51	48	52	66	51	M8	8	Φ20
2BKN/51	48	52	75	60	M10	10	Φ25
3BKN/51	48	53	90	75	M12	10	Φ30

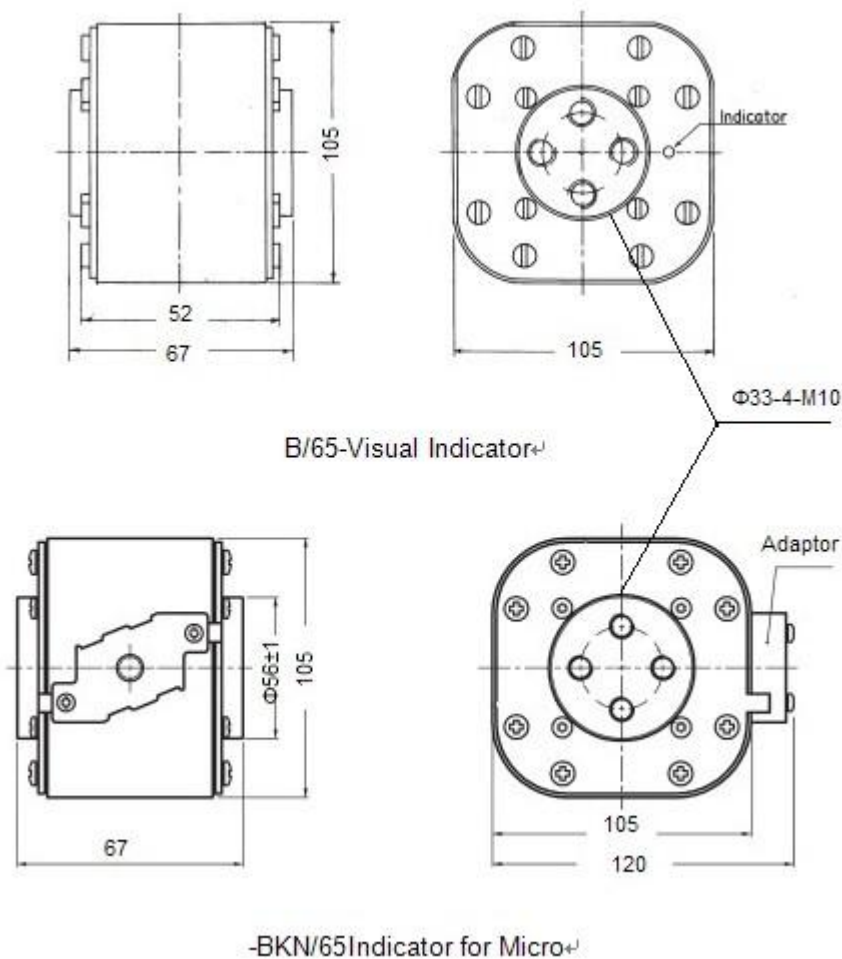
690V/700V(IEC/UL)

1000-4000A Flush End Contact Square Body Fuses Size4

Size	Catalog Numbers		Electrical Characteristics				
	B/65-Visual Indicator	-BKN/65Indicat or for Micro	Rating Voltage (A)	Rating Ampere (A)	Pre-arcing I ² t (A ² S)	Total I ² t @ 660V(A ² S)	Watts Loss(W)
4	KSP37058	KSP37078	690	1000	76000	505000	175
	KSP37059	KSP37079		1250	145000	965000	195
	KSP37060	KSP37080		1400	205000	1400000	205
	KSP37061	KSP37081		1600	305000	2050000	220
	KSP37062	KSP37082		2000	600000	3950000	245
	KSP37063	KSP37083		2500	1200000	7800000	275
	KSP37064	KSP37084	3000	2000000	13500000	305	
	KSP37065	KSP37085	3500	3250000	22000000	325	
	KSP37066	KSP37086	600	+4000	4700000	28000000	355

†Rated voltage (IEC) 600V.

Dimensions(mm):



660V(IEC)

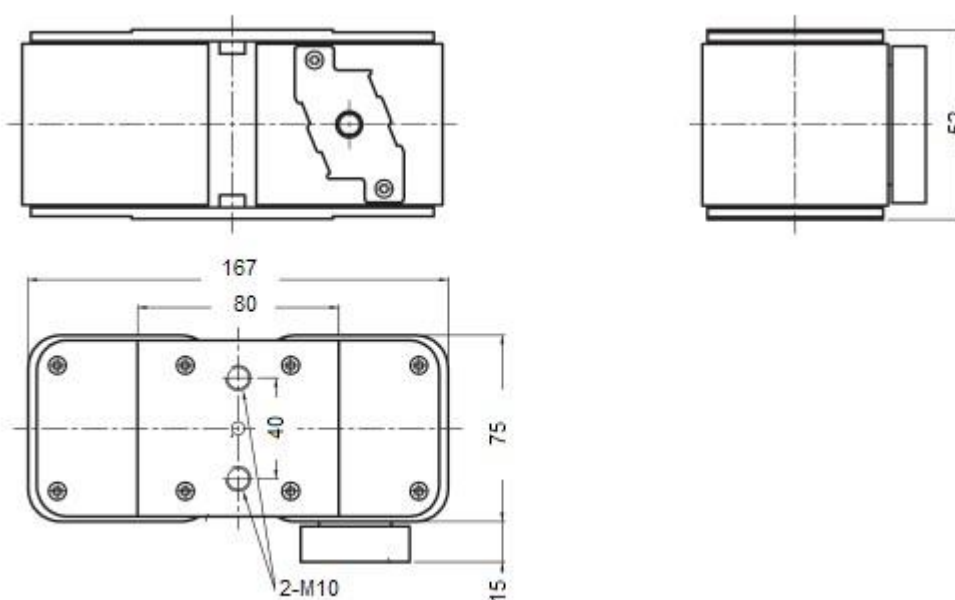
1000-4000A Flush End Contact Square Body Fuses Size23

Size	Catalog Numbers			Electrical Characteristics					
	BU/55 Visual Indicator	BKE/55 Type K Indicator	BKN/55 Type K Indicator	Rating Voltage (V)	Rating Ampere (A)	Pre-arcing I^2t (A ² S)	Total I^2t @ 660V (A ² S)	Watts Loss (W)	
23	KSP36858	KSP36898	KSP36878	660	1000	79000	530000	170	
	KSP36859	KSP36899	KSP36879		1100	95000	635000	185	
	KSP36860	KSP36900	KSP36880		1250	155000	1050000	190	
	KSP36861	KSP36901	KSP36881		1400	200000	1350000	210	
	KSP36862	KSP36902	KSP36882		1500	240000	1650000	215	
	KSP36863	KSP36903	KSP36883		1600	315000	2150000	220	
	KSP36864	KSP36904	KSP36884		1800	450000	3050000	230	
	KSP36865	KSP36905	KSP36885		2000	625000	4200000	240	
	KSP36866	KSP36906	KSP36886		2200	805000	5400000	255	
	KSP36867	KSP36907	KSP36887		2500	1250000	8350000	265	
	KSP36868	KSP36908	KSP36888		3000	2250000	15500000	285	
	KSP36869	KSP36909	KSP36889		+600	3500	3450000	21000000	315
	KSP36870	KSP36910	KSP36890		*550	+4000	5000000	27500000	340

†Rated voltage (IEC) 600V.

*Rated voltage (IEC) 550V.

Dimensions(mm):



BKE/55 Type K Indicator

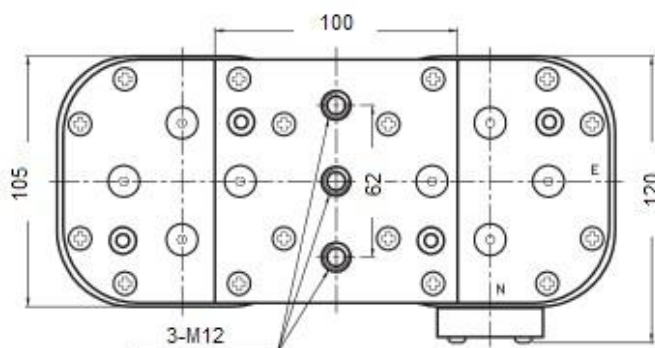
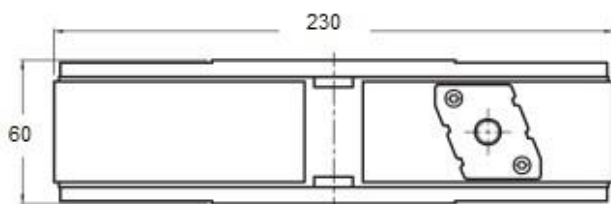
690V(IEC)

2000-7500A Flush End Contact Square Body Fuses Size24

Size	Catalog Numbers			Electrical Characteristics					
	BU/60 Visual Indicator	BKN/60 Type K Indicator	BKE/60 Type K Indicator	Rating Voltage (V)	Rating Ampere (A)	Pre-arcing I^2t (A ² S)	Total I^2t @ 660V (A ² S)	Watts Loss (W)	
24	KSP37138	KSP37158	KSP37178	690	2000	340000	23000000	340	
	KSP37139	KSP37159	KSP37179		2500	650000	43500000	390	
	KSP37140	KSP37160	KSP37180		3000	1100000	73000000	430	
	KSP37141	KSP37161	KSP37181		3500	1800000	120000000	460	
	KSP37142	KSP37162	KSP37182		4000	2700000	180000000	490	
	KSP37143	KSP37163	KSP37183		4500	3800000	225000000	520	
	KSP37144	KSP37164	KSP37184		5000	5450000	365000000	540	
	KSP37145	KSP37165	KSP37185		5500	7400000	495000000	560	
	KSP37146	KSP37166	KSP37186		6000	9600000	640000000	580	
	KSP37147	KSP37167	KSP37187		6500	12500000	830000000	600	
	KSP37148	KSP37168	KSP37188		7000	15000000	1000000000	630	
	KSP37149	KSP37169	KSP37189		500	7500	18500000	+93000000	660

†Rated voltage (IEC) 500V.

Dimensions(mm):



BKE/60Type K Indicator

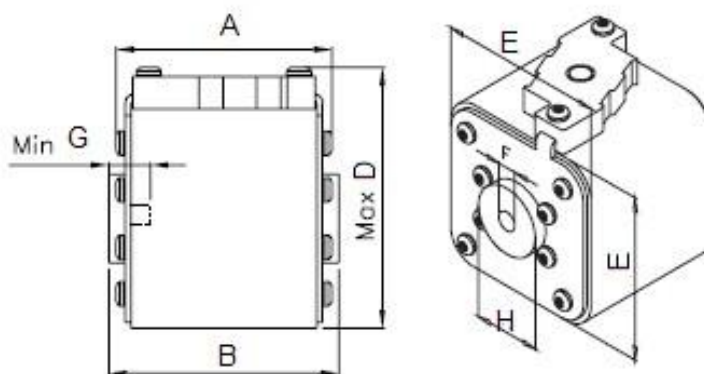
1000V(IEC) 50-1400A Flush End Contact Square Body Fuses Size0、Size1、Size2、Size3

Size	Catalog Numbers	Electrical Characteristics				
	-BKN/ 75Type K Indicator foMicro	Rated Voltage(V)	Rating Ampere (A)	Pre-arcing I ² t (A ² S)	Total I ² t @ 1000V(A ² S)	Watts Loss(W)
0	KSP33951	1000	50	135	815	20
	KSP33952		63	215	1300	25
	KSP33953		80	460	2750	30
	KSP33954		100	860	5100	35
	KSP33955		125	1450	8600	40
	KSP33956		160	2850	17500	45
	KSP33957		200	4950	29500	48
	KSP33958		250	9550	57000	50
	KSP33959		315	21500	130000	60
	KSP33960		350	29000	175000	65
	KSP33961		400	42000	250000	70
1	KSP34951	1000	160	2200	13500	40
	KSP34952		200	4150	24500	45
	KSP34953		250	7750	46000	52
	KSP34954		315	16500	98500	60
	KSP34955		350	21500	130000	65
	KSP34956		400	31000	185000	70
	KSP34957		450	44500	265000	80
	KSP34958		500	63000	375000	85
	KSP34959		550	84500	500000	90
	KSP34960		630	125000	755000	98
	2		KSP35952	1000	250	6750
KSP35953		315	13500		81500	75
KSP35954		350	16500		99000	80
KSP35955		400	26000		155000	85
KSP35956		450	35500		210000	90
KSP35957		500	49500		295000	95
KSP35958		550	66000		390000	100
KSP35959		630	93500		555000	110
KSP35960		700	130000		770000	115
KSP35961		800	195000		1200000	125
3		KSP38600	1000		315	9200
	KSP38601	350		13000	77500	95
	KSP38602	400		19000	115000	105
	KSP38603	450		27000	160000	107
	KSP38604	500		37500	225000	110
	KSP38605	550		52000	310000	115
	KSP38606	630		82500	490000	120

900~1000V(IEC) 50-1400A Flush End Contact Square Body Fuses Size0、Size1、Size2、Size3

Size	Catalog Numbers		Electrical Characteristics				
	BKN/ 75Type K Indicator for Micro	BKN/ 90Type K Indicator for Micro	Rated Voltage (V)	Rating Ampere (A)	Pre-arcing I^2t (KA ² S)	Total I^2t @ 1000V(KA ² S)	Watts Loss(W)
3	KSP38607		1000	700	115000	700000	125
	KSP38608			800	170000	1050000	135
	KSP38609			900	250000	1500000	145
	KSP38610			1000	340000	2050000	150
	KSP38611			1100	460000	2750000	155
	KSP38612	900	1250	575000	3400000	175	
	KSP38613	1400	795000	4200000	185		

Dimensions(mm):



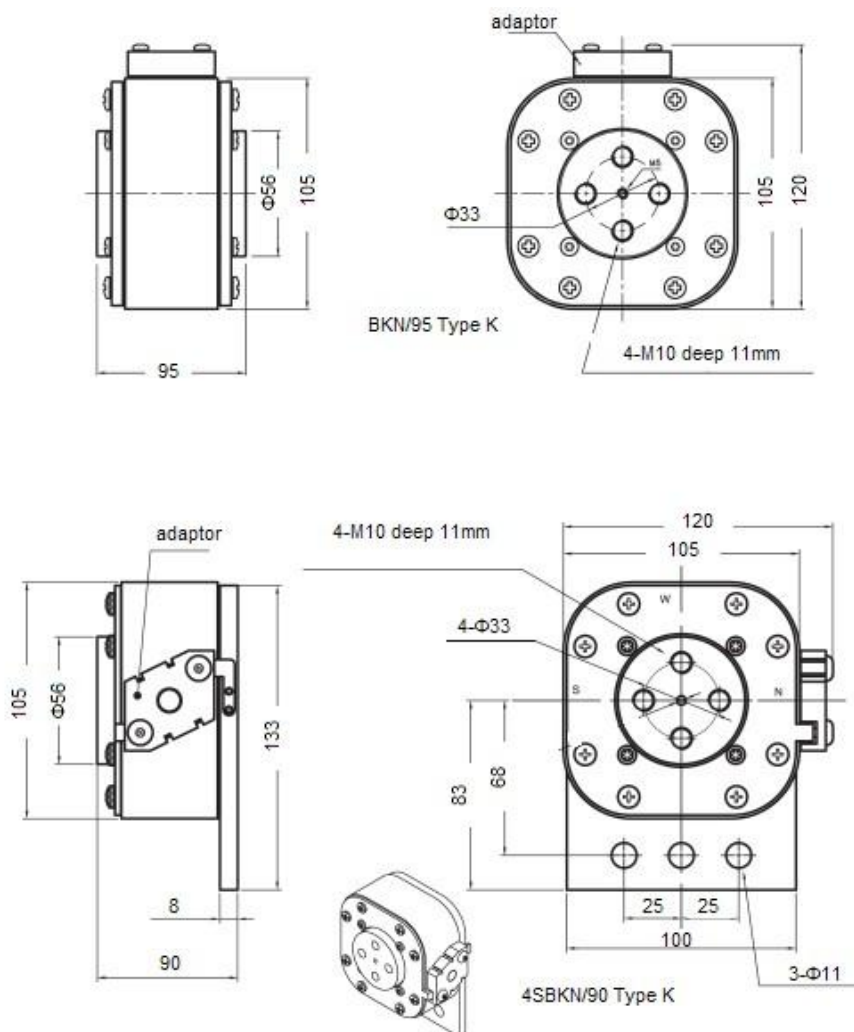
CatalogNumbers	A	B	D	E	F	G	H
0BKN/75	73	75	58	41	M8	8	Φ20
1BKN/75	73	75	66	51	M8	8	Φ20
2BKN/75	73	75	75	60	M10	10	Φ25
3BKN/75	73	75	90	75	M12	10	Φ30
3BKN/90	73	90	90	75	M12	10	Φ30

1000V(IEC)

1000-3000A Flush End Contact Square Body Fuses Size4

Size	Catalog Numbers		Electrical Characteristics				
	BKN/ 95Type K Indicator for Micro	SBKN/ 90Type KIndicator for Micro	Rated Voltage (V)	Rating Ampere (A)	Pre-arcing I^2t (KA ² S)	Total I^2t @ 1000V(KA ² S)	Watts Loss(W)
4		KSP37542	1000	1000	180000	1100000	195
		KSP37031		1100	250000	1500000	200
	KSP37636	KSP37548		1500	600000	3600000	250
	KSP37639	KSP37034		1700	850000	5000000	260
	KSP37661	KSP37053		1800	1000000	5950000	265
	KSP37963	KSP37544		2000	1450000	8600000	270
	KSP37090	KSP37035		2200	2000000	12000000	280
	KSP37640	KSP37036		2500	3000000	18000000	295
	KSP37658	KSP37037		2700	3700000	22000000	310
	KSP37962	KSP37156		3000	4700000	28000000	380

Dimensions(mm):

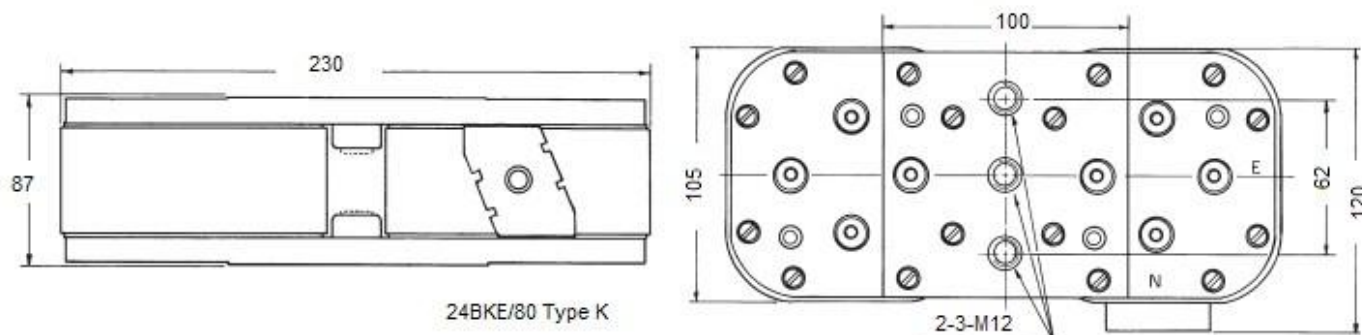


1000V_(IEC)

2000-5000A Flush End Contact Square Body Fuses Size24

Size	Catalog Numbers	Electrical Characteristics				
	BKE/85 Type K Indicator	Rating Voltage (V)	Rating Ampere (A)	Pre-arcing I ² t (A ² S)	Total I ² t @ 1000V (A ² S)	Watts Loss (W)
24	KSP37608	1000	2000	885000	5700000	345
	KSP37680		3000	290000	19000000	430
	KSP37567		3200	3300000	2000000	440
	KSP37568		3500	4500000	27000000	450
	KSP37569		4000	6800000	40000000	475
	KSP37498		4200	8000000	47500000	485
	KSP37488		4500	10000000	59000000	495
	KSP37622		5000	14000000	82500000	540

Dimensions(mm):



1250V/1300V(IEC/UL) 50-1400A Flush End Contact Square Body Fuses Size0、Size1、Size2、Size3

Size	Catalog Numbers			Electrical Characteristics			
	BKN/ Type K/75 Indicator for Micro	BKN/ Type K/80 Indicator for Micro	BKN/ Type K/90 Indicator for Micro	Rating Ampere (A)	Pre-arcing I ² t (A ² S)	Total I ² t @ 1250V(A ² S)	Watts Loss(W)
0	KSP33388	KSP33438		50	135	1100	15
	KSP33389	KSP33439		63	215	1750	20
	KSP33390	KSP33440		80	420	3350	25
	KSP33391	KSP33441		100	750	5950	30
	KSP33392	KSP33442		125	1450	11500	35
	KSP33393	KSP33443		160	2600	21000	40
	KSP33394	KSP33444		200	5150	41000	45
	KSP33395	KSP33445		250	9200	73000	55
	KSP33396	KSP33446		315	18500	150000	60
	KSP33397	KSP33447		350	27000	220000	65
1		KSP33448		400	53000	335000	70
	KSP34388	KSP34438		160	1900	15500	45
	KSP34389	KSP34439		200	3800	30000	50
	KSP34390	KSP34440		250	7750	61500	60
	KSP34391	KSP34441		315	15000	120000	65
	KSP34392	KSP34442		350	20000	165000	70
	KSP34393	KSP34443		400	29500	235000	75
	KSP34394	KSP34444		450	42000	335000	80
	+KSP34395	KSP34445		500	69500	435000	85
	*KSP34396	KSP34446		550	95000	590000	95
*KSP34397	+KSP34447		630	130000	785000	100	
2	KSP35388	KSP35438		250	6500	51500	65
	KSP35389	KSP35439		280	9350	74500	70
	KSP35390	KSP35440		315	13000	105000	75
	KSP35391	KSP35441		350	16500	135000	80
	KSP35392	KSP35442		400	23000	180000	85
	KSP35393	KSP35443		450	34000	270000	90
	KSP35394	KSP35444	KSP35494	500	48000	380000	95
	KSP35395	KSP35445	KSP35495	550	62000	495000	100
	+KSP35396	KSP35446	KSP35496	630	115000	730000	110
	*KSP35397	+KSP35447	KSP35497	700	160000	1050000	115
	*KSP35398	*KSP35448	KSP35498	800	245000	1550000	120
			KSP35499	+900	360000		125
			KSP35500	+1000	480000		135

†Rated voltage (IEC) 1100V,

*Rated voltage (IEC) 1000V.

1250V/1300V(IEC/UL) 50-1400A Flush End Contact Square Body Fuses Size0、Size1、 Size2、 Size3

Size	Catalog Numbers			Electrical Characteristics			
	BKN/ Type K/75 Indicator for Micro	BKN/ Type K/80 Indicator for Micro	BKN/ Type K/90 Indicator for Micro	Rating Ampere (A)	Pre-arcing I ² t (A ² S)	Total I ² t @ 1250V(A ² S)	Watts Loss(W)
3	KSP36338	KSP36538		315	9500	77500	85
	KSP36339	KSP36539		350	13500	110000	90
	KSP36340	KSP36540		400	19500	160000	95
	KSP36341	KSP36541		450	31000	245000	100
	KSP36342	KSP36542		500	39000	310000	105
	KSP36343	KSP36543		550	55000	435000	110
	KSP36344	KSP36544	KSP36494	630	83500	665000	115
	KSP36345	KSP36545	KSP36495	700	115000	940000	120
	+KSP36346	KSP36546	KSP36496	800	205000	1300000	125
	KSP36347	+KSP36547	KSP36497	900	305000	1900000	130
	*KSP36348	+KSP36548	KSP36498	1000	450000	2750000	135
	*KSP36349	*KSP36549	KSP36499	1100	575000	3600000	140
			KSP36500	+1250	810000	4950000	145
		KSP36501	+1400	1250000	6800000	150	

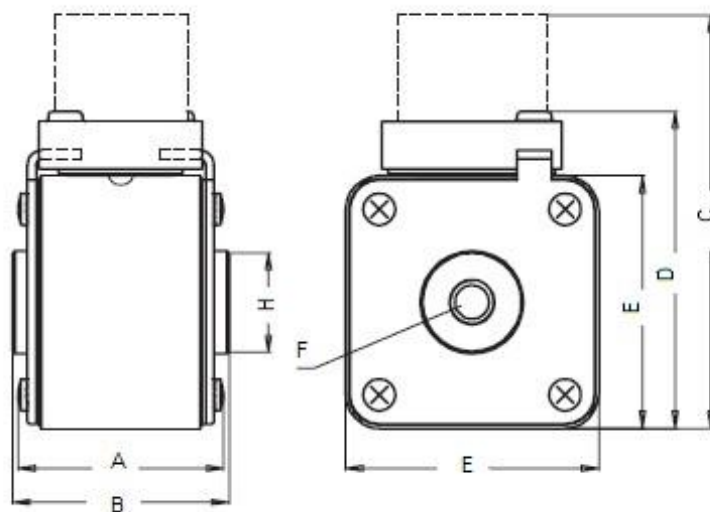
†Rated voltage (IEC) 1100V,

*Rated voltage (IEC) 1000V.



1250V/1300V(IEC/UL) 50-1400A Flush End Contact Square Body Fuses Size0、Size1、 Size2、 Size3

Dimensions(mm):



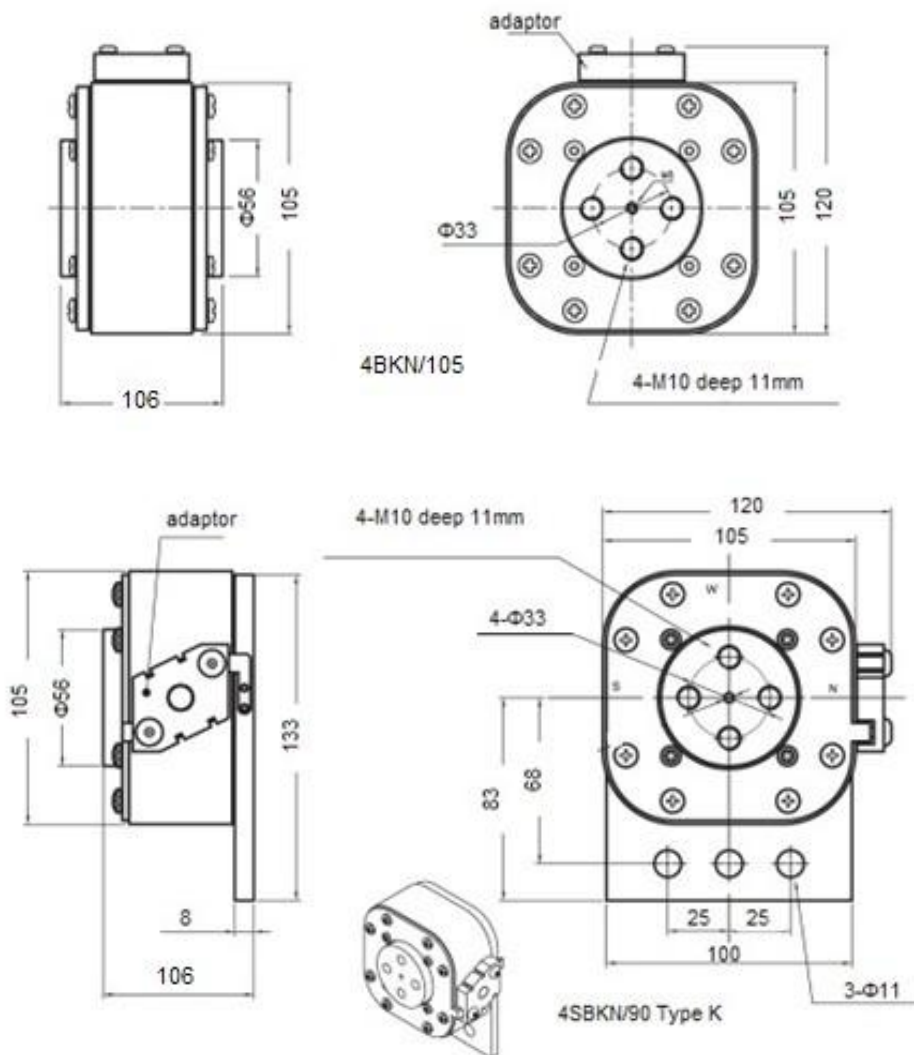
CatalogNumbers	A	B	D	E	F	C	H
0BKN/75	73	75	58	41	M8	88	Φ20
0BKN/80	79	81	58	41	M8	88	Φ20
1BKN/75	73	75	66	51	M8	96	Φ20
1BKN/80	79	81	66	51	M8	96	Φ20
2BKN/75	73	75	75	60	M10	105	Φ25
2BKN/80	79	81	75	60	M10	105	Φ25
2BKN/90	79	90	75	60	M10	105	Φ25
3BKN/75	73	75	90	75	M12	120	Φ30
3BKN/80	79	81	90	75	M12	120	Φ30
3BKN/90	81	90	90	75	M12	120	Φ30

1250V(IEC)

1400-2500A Flush End Contact Square Body Fuses Size4

Size	Catalog Numbers		Electrical Characteristics				
	BKN/ 105Type KIndicator for Micro	SBKN/ 105Type KIndicator for Micro	Rated Voltage (V)	Rating Ampere (A)	Pre-arcing I ² t (KA ² S)	Total I ² t @ 1250V(KA ² S)	Watts Loss(W)
4	KSP37217	KSP37512	1250	1400	800000	5000000	195
	KSP37597	KSP37510		1500	1000000	6200000	200
	KSP37676	KSP37511		1700	1400000	8700000	220
	KSP37532	KSP37976		1800	1700000	11000000	225
	KSP37633	KSP37513		2000	2300000	14500000	235
	KSP37592	KSP37546		2200	3100000	19500000	245
	KSP37107	KSP37516		2400	4000000	25000000	255
	KSP37595	KSP37978		2500	4500000	28000000	260

Dimensions(mm):



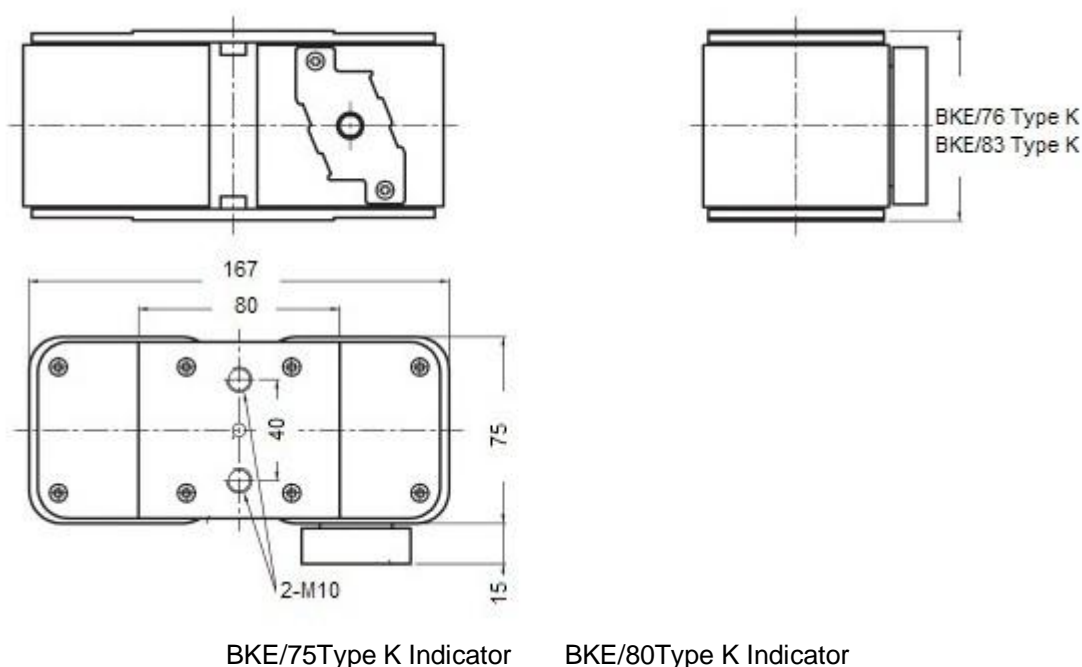
1250V_(IEC)

630-2800A Flush End Contact Square Body Fuses Size23

Size	Catalog Numbers				Electrical Characteristics							
	BKE/75 Type K Indicator	BKN/75 Type K Indicator	BKE/80 Type K Indicator	BKN/80 Type K Indicator	Rating Voltage (V)	Rating Ampere (A)	Pre-arcing I^2t (A ² S)	Total I^2t @ 1250V (A ² S)	Watts Loss (W)			
23	KSP36795	KSP36785			1250	630	38000	310000	170			
	KSP36796	KSP36786				700	54000	440000	180			
	KSP36797	KSP36787				800	78000	640000	190			
	KSP36807	KSP36806				900	120000	980000	200			
	KSP36798	KSP36788				1000	155000	1250000	210			
	KSP36799	KSP36789				1100	220000	1750000	220			
	KSP36800	KSP36790				1250	330000	2700000	230			
	KSP36801	KSP36791			1100		1400	460000	3800000	240		
	KSP36802	KSP36792					1600	820000	5200000	250		
	KSP36803	KSP36793					1800	1200000	7600000	260		
							KSP36804	KSP36794	2000	1800000	11000000	270
							KSP36833	KSP36827	2200	2300000	14500000	280
							KSP36834	KSP36828	2500	3200000	+16000000	290
							KSP36835	KSP36829	2800	5000000	+24000000	300

†Rated voltage (IEC) 1000V.

Dimensions(mm):



Cross-Reference

Kaiert Number	SIBA Number	Bussmann Number	Ferraz Number IEC Terminals French		Ferraz Number American Terminals	
KSP33408	————	170M3408				
KSP33409	————	170M3409				
KSP33410	20 663 31.63	170M3410				
KSP33411	20 663 31.80	170M3411				
KSP33412	20 663 31.100	170M3412				
KSP33413	20 663 31.125	170M3413				
KSP33414	20 663 31.160	170M3414				
KSP33415	————	170M3415				
KSP33416	————	170M3416				
KSP33417	————	170M3417				
KSP33418	————	170M3418				
KSP33419	————	170M3419				
KSP33420	————	170M3420				
KSP33421	————	170M3421				
KSP33422	————	170M3422				
KSP33423	————	170M3423				
KSP33458	————	170M3458				
KSP33459	————	170M3459	S300373	PC30UD69V50TF	V302744	A070UD30TTI 50
KSP33460	20 664 32.63	170M3460	M300000	PC30UD69V63TF	A301967	A070UD30TTI 63
KSP33461	20 664 32.80	170M3461	S300051	PC30UD69V80TF	V301962	A070UD30TTI 80
KSP33462	20 664 32.100	170M3462	T300052	PC30UD69V100TF	W300744	A070UD30TTI100
KSP33463	20 664 32.125	170M3463	V300053	PC30UD69V125TF	G300708	A070UD30TTI125
KSP33464	20 664 32.160	170M3464	W300054	PC30UD69V160TF	N300576	A070UD30TTI160
KSP33465	————	170M3465	X300055	PC30UD69V200TF	P300577	A070UD30TTI200
KSP33466	————	170M3466	Y300056	PC30UD69V250TF	Q300578	A070UD30TTI250
KSP33467	————	170M3467	Z300057	PC30UD69V315TF	R300579	A070UD30TTI315
KSP33468	————	170M3468	A300058	PC30UD69V350TF	S300580	A070UD30TTI350
KSP33469	————	170M3469	B300059	PC30UD69V400TF	T300581	A070UD30TTI400
KSP33470	————	170M3470	V300398	PC30UD69V450TF	V300582	A070UD30TTI450
KSP33471	————	170M3471	W300399	PC30UD69V500TF	W300583	A070UD30TTI500
KSP33472	————	170M3472	X300400	PC30UD69V550TF	X300584	A070UD30TTI550
KSP33473	————	170M3473	L301770	PC30UD60V630TF	A302703	A065UD30TTI630
KSP34408	20 663 31.200	170M4408				
KSP34409	20 663 31.250	170M4409				
KSP34410	20 663 31.315	170M4410				
KSP34411	20 663 31.350	170M4411				
KSP34412	20 663 31.400	170M4412				
KSP34413	20 663 31.450	170M4413				

Cross-Reference

Kaiert Number	SIBA Number	Bussmann Number	Ferraz Number		Ferraz Number	
			IEC Terminals	French	American Terminals	
KSP34414	20 663 31.500	170M4414				
KSP34415	20 663 31.550	170M4415				
KSP34416	20 663 31.630	170M4416				
KSP34417	20 663 31.700	170M4417				
KSP34418	20 663 31.800	170M4418				
*KSP34419	20 663 31.900	*170M34419				
KSP34458	20 664 32.200	170M4458	N300001	PC31UD69V200TF	A300472	A070UD31TTI200
KSP34459	20 664 32.250	170M4459	P300002	PC31UD69V250TF	B300473	A070UD31TTI250
KSP34460	20 664 32.315	170M4460	Q300003	PC31UD69V315TF	C300474	A070UD31TTI315
KSP34461	20 664 32.350	170M4461	M300046	PC31UD69V350TF	D300475	A070UD31TTI350
KSP34462	20 664 32.400	170M4462	R300004	PC31UD69V400TF	E300476	A070UD31TTI400
KSP34463	20 664 32.450	170M4463	S300005	PC31UD69V450TF	F300477	A070UD31TTI450
KSP34464	20 664 32.500	170M4464	T300006	PC31UD69V500TF	G300478	A070UD31TTI500
KSP34465	20 664 32.550	170M4465	V300007	PC31UD69V550TF	H300479	A070UD31TTI550
KSP34466	20 664 32.630	170M4466	W300008	PC31UD69V630TF	J300480	A070UD31TTI630
KSP34467	20 664 32.700	170M4467	X300009	PC31UD69V700TF	K300481	A070UD31TTI700
KSP34468	20 664 32.800	170M4468	Y300401	PC31UD69V800TF	L300482	A070UD31TTI800
KSP34469	20 664 32.900	170M4469				
KSP35408	20 673 31.400	170M5408				
KSP35409	20 673 31.450	170M5409				
KSP35410	20 673 31.500	170M5410				
KSP35411	20 673 31.550	170M5411				
KSP35412	20 673 31.630	170M5412				
KSP35413	20 673 31.700	170M5413				
KSP35414	20 673 31.800	170M5414				
KSP35415	20 673 31.900	170M5415				
KSP35416	20 673 31.1000	170M5416				
+KSP35417	20 673 31.1100	+170M35417				
+KSP35418	20 673 31.1250	+170M5418				
KSP35458	20 674 32.400	170M5458	H300065	PC32UD69V400TF	Q300463	A070UD32TTI400
KSP35459	20 674 32.450	170M5459	J300066	PC32UD69V450TF	N300461	A070UD32TTI450
KSP35460	20 674 32.500	170M5460	K300067	PC32UD69V500TF	P300462	A070UD32TTI500
KSP35461	20 674 32.550	170M5461	L300068	PC32UD69V550TF	R300464	A070UD32TTI550
KSP35462	20 674 32.630	170M5462	M300069	PC32UD69V630TF	S300465	A070UD32TTI630
KSP35463	20 674 32.700	170M5463	N300070	PC32UD69V700TF	T300466	A070UD32TTI700
KSP35464	20 674 32.800	170M5464	P300071	PC32UD69V800TF	V300467	A070UD32TTI800
KSP35465	20 674 32.900	170M5465	Q300072	PC32UD69V900TF	W300468	A070UD32TTI900
KSP35466	20 674 32.1000	170M5466	S300074	PC32UD69V1000TF	X300469	A070UD32TTI1000

Cross-Reference

Kaiert Number	SIBA Number	Bussmann Number	Ferraz Number IEC Terminals French		Ferraz Number American Terminals	
KSP35467	20 674 32.1100	170M5467	M300759	PC32UD60V1100TF	M301081	A065UD32TTI1100
KSP35468	20 674 32.1250	170M5468	P301060	PC32UD55V1250TF	N301082	A060UD32TTI1250
KSP36408	20 683 31.500	170M6408				
KSP36409	20 683 31.550	170M6409				
KSP36410	20 683 31.630	170M6410				
KSP36411	20 683 31.700	170M6411				
KSP36412	20 683 31.800	170M6412				
KSP36413	20 683 31.900	170M6413				
KSP36414	20 683 31.1000	170M6414				
KSP36415	20 683 31.1100	170M6415				
KSP36416	20 683 31.1250	170M6416				
KSP36417	20 683 31.1400	170M6417				
KSP36418	20 683 31.1500	170M6418				
KSP36419	20 683 31.1600	170M6419				
+KSP36420	—————	+170M36420				
*KSP36421	—————	*170M6421				
KSP36458	20 684 32.500	170M6458	V300076	PC33UD69V500TF	X300446	A070UD33TTI500
KSP36459	20 684 32.550	170M6459	W300077	PC33UD69V550TF	Y300447	A070UD33TTI550
KSP36460	20 684 32.630	170M6460	X300078	PC33UD69V630TF	Z300448	A070UD33TTI630
KSP36461	20 684 32.700	170M6461	Y300079	PC33UD69V700TF	A300449	A070UD33TTI700
KSP36462	20 684 32.800	170M6462	Z300080	PC33UD69V800TF	T300443	A070UD33TTI800
KSP36463	20 684 32.900	170M6463	A300081	PC33UD69V900TF	B300450	A070UD33TTI900
KSP36464	20 684 32.1000	170M6464	B300082	PC33UD69V1000TF	C300451	A070UD33TTI1000
KSP36465	20 684 32.1100	170M6465	C300083	PC33UD69V1100TF	D300452	A070UD33TTI1100
KSP36466	20 684 32.1250	170M6466	D300084	PC33UD69V1250TF	E300453	A070UD33TTI1250
KSP36467	20 684 32.1400	170M6467	E300085	PC33UD69V1400TF	F300454	A070UD33TTI1400
KSP36468	20 684 32.1500	170M6468	Y300585	PC33UD60V1500TF	F302064	A065UD33TTI1500
KSP36469	20 684 32.1600	170M6469	Z300586	PC33UD60V1600TF	S301086	A065UD33TTI1600
KSP36470	20 681 52.1800	170M6470	A300587	PC33UD60V1800TF	T301087	A065UD33TTI1800
KSP36471	20 681 52.2000	170M6471	B300588	PC33UD55V2000TF	V301088	A060UD33TTI2000
KSP37058		170M7058				
KSP37059		170M7059				
KSP37060		170M7060				
KSP37061		170M7061				
KSP37062		170M7062				
KSP37063		170M7063				
KSP37064		170M7064				
KSP37065		170M7065				
KSP37066		170M7066				

Cross-Reference

Kaiert Number	SIBA Number	Bussmann Number	Ferraz Number IEC Terminals French		Ferraz Number American Terminals	
KSP37078		170M7078				
KSP37079		170M7079			7,5 URD 44 TQF 1200	
KSP37080		170M7080			7,5 URD 44 TQF 1350	
KSP37081	20 695 32.1600	170M7081			7,5 URD 44 TQF 1600	
KSP37082	20 695 32.2000	170M7082			7,5 URD 44 TQF 2240	
KSP37083	20 695 32.2500	170M7083			7 URD 44 TQF 2500	
KSP37084		170M7084			7 URD 44 TQF 3000	
KSP37085		170M7085			6,6 URD 44 TQF 3500	
KSP37086		170M7086			6 URD 44 TQF 4000	
KSP36858		170M6858				
KSP36859		170M6859				
KSP36860		170M6860				
KSP36861		170M6861				
KSP36862		170M6862				
KSP36863		170M6863				
KSP36864		170M6864				
KSP36865		170M6865				
KSP36866		170M6866				
KSP36867		170M6867				
KSP36868		170M6868				
KSP36869		170M6869				
KSP36870		170M6870				
KSP36898		170M6898				
KSP36899		170M6899				
KSP36900		170M6900				
KSP36901		170M6901				
KSP36902		170M6902				
KSP36903		170M6903				
KSP36904		170M6904			B300427	PC36UD69V18CP11
KSP36905		170M6905			R302235	PC36UD60V20CP11
KSP36906		170M6906			Q302234	PC36UD60V22CP11
KSP36907		170M6907			P302233	PC36UD60V25CP11
KSP36908		170M6908			L301977	PC36UD55V30CP11
KSP36909		170M6909			N301979	PC36UD50V36CP11
KSP36910		170M6910			P301980	PC36UD50V40CP11
KSP36878		170M6878				
KSP36879		170M6879				
KSP36880		170M6880				

Cross-Reference

Kaiert Number	SIBA Number	Bussmann Number	Ferraz Number IEC Terminals	Ferraz Number French	Ferraz Number American	Terminals
KSP36881		170M7078				
KSP36882		170M7079				
KSP36883		170M7080				
KSP36884		170M7081				
KSP36885		170M7082				
KSP36886		170M7083				
KSP36887		170M7084				
KSP36888		170M7085				
KSP36889		170M7086				
KSP36890		170M6858				
KSP37138		170M6859				
KSP37139		170M6860				
KSP37140		170M6861				
KSP37141		170M6862				
KSP37142		170M6863				
KSP37143		170M6864				
KSP37144		170M6865				
KSP37145		170M6866				
KSP37146		170M6867				
KSP37147		170M6868				
KSP37148		170M6869				
KSP37149		170M6870				
KSP37158		170M6898				
KSP37159		170M6899				
KSP37160		170M6900				
KSP37161		170M6901				
KSP37162		170M6902				
KSP37163		170M6903				
KSP37164		170M6904				
KSP37165		170M6905				
KSP37166		170M6906				
KSP37167		170M6907				
KSP37168		170M6908				
KSP37169		170M6909				
KSP37178		170M6910				
KSP37179		170M6878				
KSP37180		170M6879				
KSP37181		170M6880				

Cross-Reference

Kaiert Number	SIBA Number	Bussmann Number	Ferraz Number IEC Terminals	Ferraz Number French	Ferraz Number American Terminals
KSP37182		170M7182			
KSP37183		170M7183			
KSP37184		170M7184			
KSP37185		170M7185			
KSP37186		170M7186			
KSP37187		170M7187			
KSP37188		170M7188			
KSP37189		170M7189			
KSP33951		170M3951			
KSP33952		170M3952			
KSP33953		170M3953			
KSP33954		170M3954			
KSP33955		170M3955			
KSP33956		170M3956			
KSP33957		170M3957			
KSP33958		170M3958			
KSP33959		170M3959			
KSP33960		170M3960			
KSP33961		170M3961			
KSP34951		170M4951			
KSP34952		170M4952			
KSP34953		170M4953			
KSP34954		170M4954			
KSP34955		170M4955			
KSP34956		170M4956			
KSP34957		170M4957			
KSP34958		170M4958			
KSP34959		170M4959			
KSP34960		170M4960			
KSP35952		170M5952			
KSP35953		170M5953			
KSP35954		170M5954			
KSP35955		170M5955			
KSP35956		170M5956			
KSP35957		170M5957			
KSP35958		170M5958			
KSP35959		170M5959			
KSP35960		170M5960			

Cross-Reference

Kaiert Number	SIBA Number	Bussmann Number	Ferraz Number IEC Terminals	Ferraz Number French	Ferraz Number American Terminals
KSP35961		170M5961			
KSP38600		170M8600			
KSP38601		170M8601			
KSP38602		170M8602			
KSP38603		170M8603			
KSP38604		170M8604			
KSP38605		170M8605			
KSP38606		170M8606			
KSP38607		170M8607			
KSP38608		170M8608			
KSP38609		170M8609			
KSP38610		170M8610			
KSP38611		170M8611			
KSP38612		170M8612			
KSP38613		170M8613			
KSP37636		170M7636			12,5 URD 84 TDF 1500
KSP37639		170M7639			12,5 URD 84 TDF 1700
KSP37661		170M7661			11,5 URD 84 TDF 1800
KSP37963		170M7963			11 URD 84 TDF 2000
KSP37090		170M7090			11 URD 84 TDF 2200
KSP37640		170M7640			10 URD 84 TDF 2500
KSP37658		170M7658			10 URD 84 TDF 2700
KSP37962		170M7962			9 URD 84 TDF 3000
KSP37542		170M7542			
KSP37031		170M7031			
KSP37548		170M7548			
KSP37034		170M7034			
KSP37053		170M7053			
KSP37544		170M7544			
KSP37035		170M7035			
KSP37036		170M7036			
KSP37037		170M7037			
KSP37156		170M7156			
KSP37608		170M7608			14,5 URD 284 PLAF 2000
KSP37680		170M7680			12 URD 284 PLAF 3000
KSP37567		170M7567			11,5 URD 284 PLAF 3400
KSP37568		170M7568			10,5 URD 284 PLAF 3600
KSP37569		170M7569			10 URD 284 PLAF 4000

Cross-Reference

Kaiert Number	SIBA Number	Bussmann Number	Ferraz Number IEC Terminals French		Ferraz Number American Terminals	
KSP37498		170M7498			10 URD 284 PLAF 4200	
KSP37488		170M7488			10 URD 284 PLAF 4600	
KSP37622		170M7622			10 URD 284 PLAF 5000	
KSP33388	20 761 32.50	170M3388	C301095	PC70UD13C50TF		
KSP33389	20 761 32.63	170M3389	M300483	PC70UD13C63TF	Q301015	A130UD70TTI63
KSP33390	20 761 32.80	170M3390	N300484	PC70UD13C80TF	R301016	A130UD70TTI80
KSP33391	20 761 32.100	170M3391	P300485	PC70UD13C100TF	S301017	A130UD70TTI100
KSP33392	20 761 32.125	170M3392	Q300486	PC70UD13C125TF	T301018	A130UD70TTI125
KSP33393		170M3393	R300487	PC70UD13C160TF	V301019	A130UD70TTI160
KSP33394		170M3394	S300488	PC70UD13C200TF	W301020	A130UD70TTI200
KSP33395		170M3395	T300489	PC70UD13C250TF	X301021	A130UD70TTI250
KSP33396		170M3396	V300490	PC70UD12C315TF	Z301023	A130UD70TTI315
KSP33397		170M3397	W300491	PC70UD11C350TF	A301024	A130UD70TTI350
KSP33438		170M3438	E300867	PC70UD11C400TF		
KSP33439		170M3439				
KSP33440		170M3440				
KSP33441		170M3441				
KSP33442		170M3442				
KSP33443		170M3443				
KSP33444		170M3444				
KSP33445		170M3445				
KSP33446		170M3446				
KSP33447		170M3447				
KSP33448		170M3448				
KSP34388	20 761 32.160	170M4388	B300749	PC71UD13C160TF	B301025	A130UD71TTI160
KSP34389	20 761 32.200	170M4389	Z300517	PC71UD13C200TF	C301026	A130UD71TTI200
KSP34390	20 761 32.250	170M4390	A300518	PC71UD13C250TF	D301027	A130UD71TTI250
KSP34391	20 761 32.315	170M4391	B300519	PC71UD13C315TF	F301029	A130UD71TTI315
KSP34392	20 761 32.350	170M4392	C300520	PC71UD13C350TF	G301030	A130UD71TTI350
KSP34393	20 761 32.400	170M4393	D300521	PC71UD13C400TF	H301031	A130UD71TTI400
KSP34394	20 761 32.450	170M4394	E300522	PC71UD13C450TF	J301032	A130UD71TTI450
+KSP34395	20 761 32.500	+170M34395	F300523	PC71UD11C500TF	K301033	A130UD71TTI500
*KSP34396	20 761 32.550	*170M4396	G300524	PC71UD11C550TF	L301034	A120UD71TTI550
*KSP34397	20 761 32.630	*170M4397	H300525	PC71UD11C630TF	M301035	A120UD71TTI630
KSP34438		170M4438				
KSP34439		170M4439				
KSP34440		170M4440				
KSP34441		170M4441				

Cross-Reference

Kaiert Number	SIBA Number	Bussmann Number	Ferraz Number IEC Terminals French		Ferraz Number American Terminals	
KSP34442		170M4442				
KSP34443		170M4443				
KSP34444		170M4444				
KSP34445		170M4445				
KSP34446		170M4446				
+KSP34447		+170M34447				
KSP35388	20 771 32.250	170M5388	X301573	PC72UD13C250TF		
KSP35389	20 771 32.280	170M5389	Y300493	PC72UD13C280TF	N301036	A130UD72TTI280
KSP35390	20 771 32.315	170M5390	Z300494	PC72UD13C315TF	P301037	A130UD72TTI315
KSP35391	20 771 32.350	170M5391	A300495	PC72UD13C350TF	Q301038	A130UD72TTI350
KSP35392	20 771 32.400	170M5392	B300496	PC72UD13C400TF	R301039	A130UD72TTI400
KSP35393	20 771 32.450	170M5393	C300497	PC72UD13C450TF	S301040	A130UD72TTI450
KSP35394	20 771 32.500	170M5394	D300498	PC72UD13C500TF	T301041	A130UD72TTI500
KSP35395	20 771 32.550	170M5395	E300499	PC72UD13C550TF	V301042	A130UD72TTI550
+KSP35396	20 771 32.630	+170M35396	F300500	PC72UD13C630TF	W301043	A130UD72TTI630
*KSP35397	20 771 32.700	*170M5397	G300501	PC72UD11C700TF	X301044	A120UD72TTI700
*KSP35398	20 771 32.800	*170M5398	H300502	PC72UD11C800TF	Y301045	A120UD72TTI800
KSP35438		170M5438				
KSP35439		170M5439				
KSP35440		170M5440				
KSP35441		170M5441				
KSP35442		170M5442				
KSP35443		170M5443				
KSP35444		170M5444				
KSP35445		170M5445				
KSP35446		170M5446				
+KSP35447		+170M35447				
*KSP35448		*170M5448				
KSP35494		170M5494				
KSP35495		170M5495				
KSP35496		170M5496				
KSP35497		170M5497				
KSP35498		170M5498				
KSP35499		170M5499				
KSP35500		170M5500				
KSP36338	20 781 52.315	170M6338	J300503	PC73UD13C315TF	Z301046	A130UD73TTI315
KSP36339	20 781 52.350	170M6339	K300504	PC73UD13C350TF	A301047	A130UD73TTI350
KSP36340	20 781 52.400	170M6340	L300505	PC73UD13C400TF	B301048	A130UD73TTI400

Cross-Reference

Kaiert Number	SIBA Number	Bussmann Number	Ferraz Number IEC Terminals French		Ferraz Number American Terminals	
KSP36341	20 781 52.450	170M6341	M300506	PC73UD13C450TF	C301049	A130UD73TTI450
KSP36342	20 781 52.500	170M6342	N300507	PC73UD13C500TF	D301050	A130UD73TTI500
KSP36343	20 781 52.550	170M6343	P300508	PC73UD13C550TF	E301051	A130UD73TTI550
KSP36344	20 781 52.630	170M6344	Q300509	PC73UD13C630TF	F301052	A130UD73TTI630
KSP36345	20 781 52.700	170M6345	R300510	PC73UD13C700TF	G301053	A130UD73TTI700
+KSP36346	20 781 52.800	+170M6346	S300511	PC73UD13C800TF	H301054	A130UD73TTI800
KSP36347	20 781 52.900	170M6347	T300512	PC73UD12C900TF	J301055	A130UD73TTI900
*KSP36348	20 781 52.1000	*170M6348	V300513	PC73UD10C1000TF	K301056	A110UD73TTI1000
*KSP36349	20 781 52.1100	*170M6349			L301057	A100UD73TTI1100
KSP36538		170M6538				
KSP36539		170M6539				
KSP36540		170M6540				
KSP36541		170M6541				
KSP36542		170M6542				
KSP36543		170M6543				
KSP36544		170M6544				
KSP36545		170M6545				
KSP36546		170M6546				
+KSP36547		+170M6547				
+KSP36548		+170M6548				
*KSP36549		*170M6549				
KSP36494		170M6494				
KSP36495		170M6495				
KSP36496		170M6496				
KSP36497		170M6497				
KSP36498		170M6498				
KSP36499		170M6499				
KSP36500		170M6500				
KSP36501		170M6501				
KSP37217		170M7217				
KSP37597		170M7597				
KSP37676		170M7676				
KSP37532		170M7532				
KSP37633		170M7633				
KSP37592		170M7592				
KSP37107		170M7107				
KSP37595		170M7595				
KSP37512		170M7512				

Cross-Reference

Kaiert Number	SIBA Number	Bussmann Number	Ferraz Number IEC Terminals	Ferraz Number French	Ferraz Number American Terminals
KSP37510		170M7510			
KSP37511		170M7511			
KSP37976		170M7976			
KSP37513		170M7513			
KSP37546		170M7546			
KSP37516		170M7516			
KSP37978		170M7978			
KSP36795		170M6795			
KSP36796		170M6796			
KSP36797		170M6797			
KSP36807		170M6807			
KSP36798		170M6798			
KSP36799		170M6799			
KSP36800		170M6800			
KSP36801		170M6801			
KSP36802		170M6802			
KSP36803		170M6803			
KSP36785		170M6785			
KSP36786		170M6786			
KSP36787		170M6787			
KSP36806		170M6806			
KSP36788		170M6788			
KSP36789		170M6789			
KSP36790		170M6790			
KSP36791		170M6791			
KSP36792		170M6792			
KSP36793		170M6793			
KSP36804		170M6804			
KSP36833		170M6833			
KSP36834		170M6834			
KSP36835		170M6835			
KSP36794		170M6794			
KSP36827		170M6827			
KSP36828		170M6828			
KSP36829		170M6829			

Name: Xi'an kaiert power electronic manufacturing CO.,LTD

Address: 5th Floor, No.1 Building, No 4955 Shangyuan Road, Caotan Industrial Park,
Xi'an Economic and Technological Development Zone ,Xi'an Chian.

Tel: +86-029-8621 4655 F:+86-029-8662 9371 | Mob: +86139 91253822、+86131 09528822